

 **Favero** Health Projects

# WARD

# PAEDIATRICS

# CONSULTING ROOMS & CLINICS






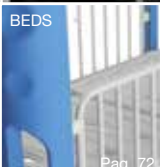






















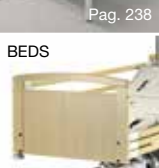
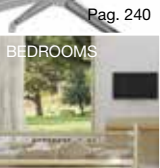
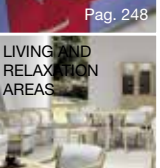
# TECHNICAL WALL SYSTEMS

# CARTS

# STRETCHERS

# COMPLEMENTARY FURNITURE

# HEALTHCARE FACILITIES

<b>BEDS</b>  Pag. 20	<b>BEDSIDE TABLES</b>  Pag. 44	<b>WARDROBES</b>  Pag. 56	<b>CHAIRS &amp; TABLES</b>  Pag. 60	<b>RELAX ARMCHAIRS</b>  Pag. 64	<b>WARD</b>
<b>BEDS</b>  Pag. 72	<b>COTS</b>  Pag. 94	<b>CHANGING TABLES</b>  Pag. 96	<b>PAEDIATRIC FURNITURE</b>  Pag. 102	<b>PAEDIATRICS</b>	
	<b>TREATMENT TABLES</b>  Pag. 106	<b>ACCESSORIES</b>  Pag. 116	<b>SPECIALIST CHAIRS</b>  Pag. 124	<b>CONSULTING ROOMS &amp; CLINICS</b>	
<b>ALIEN</b>  Pag. 140	<b>ZEROFIRE</b>  Pag. 150	<b>PRAXIS</b>  Pag. 164	<b>COUNTER UNITS</b>  Pag. 176	<b>TECHNICAL WALL SOLUTIONS</b>	
<b>OVERTOUR</b>  Pag. 182	<b>EUROFUTURA</b>  Pag. 196	<b>CARTESIO</b>  Pag. 204	<b>CARLO</b>  Pag. 210	<b>MULTI-PURPOSE CARTS AND UNITS</b>  Pag. 214	<b>CARTS</b>
	<b>SHERPA</b>  Pag. 218	<b>GLIDE</b>  Pag. 232	<b>H-PLUS</b>  Pag. 234	<b>STRETCHERS</b>	
	<b>OFFICES</b>  Pag. 238	<b>CHAIRS</b>  Pag. 240	<b>KITCHENS</b>  Pag. 248	<b>COMPLEMENTARY FURNITURE</b>	
<b>FINISHINGS</b>  Pag. 251	<b>BEDS</b>  Pag. 252	<b>BEDROOMS</b>  Pag. 256	<b>LIVING AND RELAXATION AREAS</b>  Pag. 258	<b>HEALTHCARE FACILITIES</b>	

# WARD

## INCREASING COMFORT DURING HOSPITAL STAYS WITH SOLUTIONS DESIGNED AROUND PEOPLE



The ward is where a patient will stay during recovery and as such it should be structured to reduce discomfort and guarantee wellbeing.

Security, functionality, comfort and ergonomics must be guaranteed alongside the highest levels of cleanliness and hygiene so as to improve the ward environment, **facilitate the work of healthcare personnel and reduce the risk of cross infection.** All of our solutions for the ward environment have been designed to respond to these needs, without losing sight of quality and safety, as always guaranteed by the Favero brand.

## WARD CONTENTS



### BEDS

pg. 20

Available in both electrical and mechanical versions, our ward beds with integrated antibacterial protection are a guarantee of safety and comfort.



### BEDSIDE TABLES

pg. 44

Constant research into materials and design has led to a collection which has evolved to include solutions for every kind of need.



### WARDROBES

pg. 56

A series of robust and intelligent products designed to make the best use of available space attractively designed with clean, soft lines that help create an elegant, refined environment.



### CHAIRS & TABLES

pg. 60

Comfortable chairs - with or without armrests - suited to a wide range of environments, as are the tables which are available in a range of shapes and with a choice of bases.



### RELAX ARMCHAIRS

pg. 64

Chairs providing comfortable, safe and ergonomic support to patients designed to promote early movement in clinical situations of limited mobility.

# FOR THE BEST CARE WITH THE LEAST EFFORT

## ELECTRICAL BED RANGE



### INSPIRE 9LI7 - INSPIRE 9LI8

Standard equipment includes control panel built in to the siderails and the Full Position Pack. Available with compass (9LI7) or column (9LI8) height adjustment system.



### INSPIRE 9LI5 - INSPIRE 9LI6

The most advanced bed for infection control thanks to its fully removable head and foot boards. Available with compass (9LI5) or column (9LI6) height adjustment system.



### INSPIRE 9LI3 - INSPIRE 9LI4

The most flexible model with four-section drop-down siderails. Available with compass (9LI3) or column (9LI4) height adjustment system.



### INSPIRE 9LI1 - INSPIRE 9LI2

Equipped with innovative dampened drop-down siderails so as to increase safety. Available with compass (9LI1) or column (9LI2) height adjustment system.



### INSPIRE 9LI7R (9LI1R - 9LI3R - 9LI5R)

The entire INSPIRE range is available with a radiolucent back section.

## MECHANICAL BED RANGE



### HY-50 9LO1

Ward bed with hydraulic height adjustment and Trendelenburg/ reverse Trendelenburg positions.



### HY-50 9LF1

Fixed height ward bed.



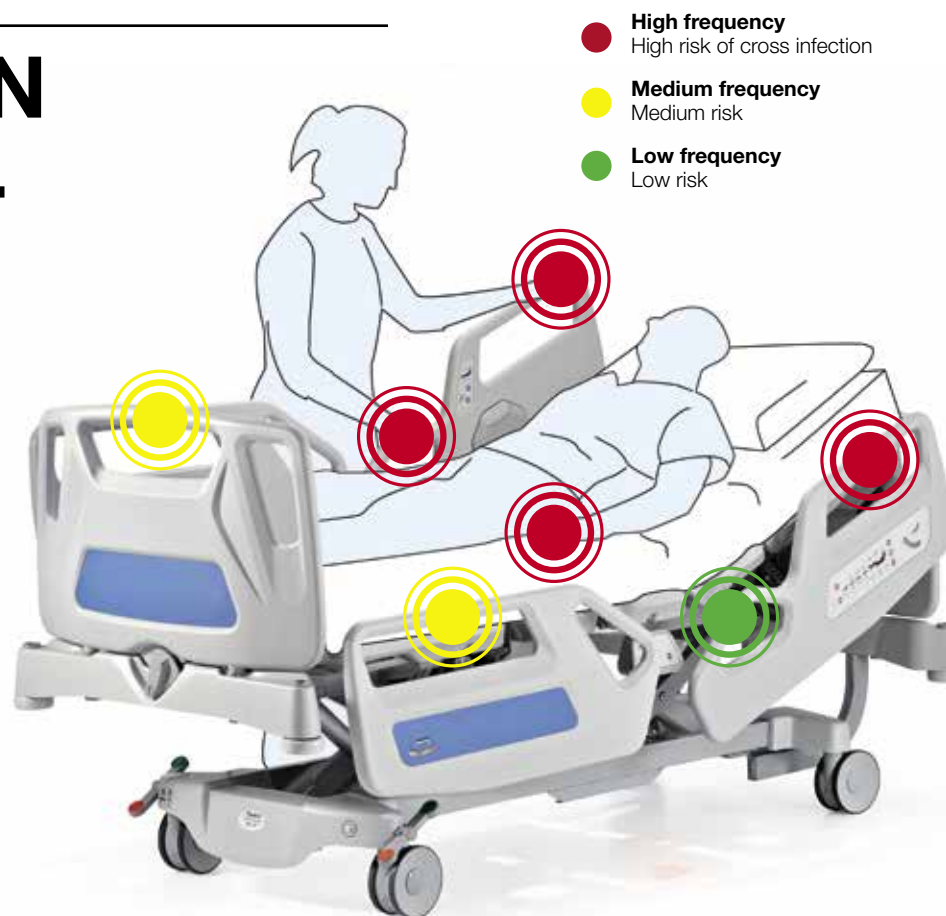
## MAIN FEATURES



# INFECTION CONTROL

The following is from a paper published in 2011: "Infections contracted in hospital are the fourth highest cause of death in industrialised nations and have become the most significant issue faced in healthcare." Today these infections are by far the highest incidence of complications faced by patients in hospitals.

An article published in 2012 examined the issue further and said that bacteria can survive for long periods on the surfaces in the room where the patient is, on the siderails, on the call buttons and on serving tables, and these bacteria can cause the transmission of infection. A further study explains how the human hand becomes a vehicle for contamination as soon as it touches any surface or the skin of a patient. This confirms that contaminated surfaces can be a significant source of transmission of MRSA (Staphylococcus aureus) which is resistant to meticillin.



Release button for secure removal of the plastic siderail



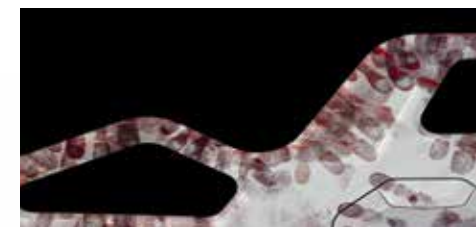
Patented siderail removal system



Surfaces easy to clean and disinfect



Highly robust one-piece platform moulded from recyclable PE without sharp edges



A group of researchers analysed the main surfaces which are touched in a hospital. **In first place are the siderails of the bed, in second place, the surfaces (mattress) and then the medication cart, the serving table and the infusion pumps.** Our patented removable siderails mark a significant advance for hospital ward beds.



**Favero Health Projects products treated with Microban® antibacterial protection** are designed to inhibit the growth of bacteria which is potentially harmful for human health. As the additives are distributed evenly in the structure of the components of the bed, Microban® technology allows for extensive infection control across all of the product including hard to reach areas and those that come into contact with patients and hospital staff the most often. Favero Health Projects together with Microban® offer a further level of protection against the growth of germs and provide added value to the usual high quality standards so as to be always at the forefront of modern construction and technology.

## MAIN FEATURES

# + SAFETY FOR THE PATIENT AND THE OPERATOR

The platform on the INSPIRE bed is very low to the ground which provides added security for the patient both while lying down and while getting in or out of the bed.

With the platform set low all patients can rest their feet firmly on the ground before being assisted in or out by the operator thereby reducing the risk of falls.



With a single button the operator can raise the bed to the point where the patient is almost vertical and able to rise to their feet with ease. The siderail is designed to provide a secure grip for the patient during movements.

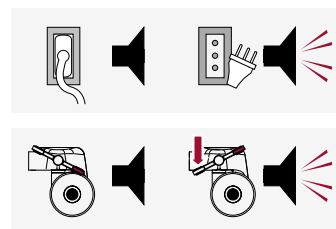
The base is made from stainless steel and mounted on the standard 125 mm washable wheels or on the optional 150 mm antistatic and washable wheels. All models have central locking and steering lock.



Secure grip siderails



**Up&Down light:** the green light shows when the light is at its minimum height. At all other heights the light shows red to alert the operator of potential risk



A alarm will sound to alert the operator if the power cord is removed from the outlet. (The cord removed alarm is always supplied with the Up&Down light)

An alarm will sound to alert the operator if the brakes are not correctly applied.

## MAIN FEATURES



# ERGONOMICS

## FOR THE PATIENT AND THE OPERATOR

Moving the patient has never been easier and safer thanks to **the combination of the Easy Exit feature and the reduced platform height.**

This creates a secure, stable environment to lie the patient down or get him or her up.

**Chair position.** Simply by pressing a single button the patient can be brought comfortably to a **seated position.** This reduces problems caused by prolonged immobility, decreases recovery times and ensures the general wellbeing of the patient.

**Auto Contour.** With a single button the operator can deploy the auto contour feature with synchronised back and leg movements. This brings increased patient comfort during movements and requires less effort from hospital staff while repositioning the patient in the bed.



The siderails have been designed to further **facilitate moving the patient in the bed and help move them onto their side** which increases the patient's involvement and promotes independence.

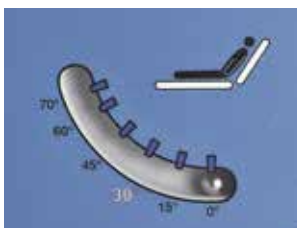


**Trendelenburg.** Electric Trendelenburg and reverse Trendelenburg positions provide a high level of flexibility during the positioning and care of the patient. A single button brings the bed to a 15.5° angle.

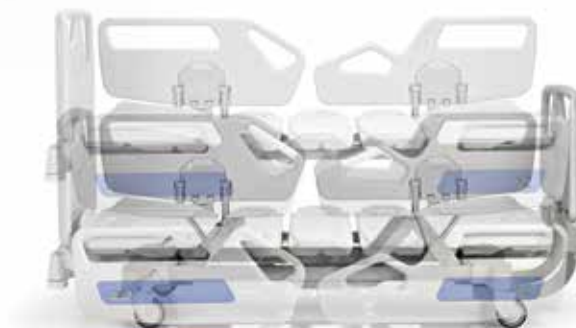
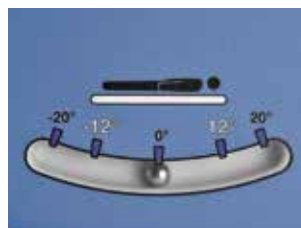
**Reverse Trendelenburg.** Raising the patient's head helps achieve a comfortable sitting position for improved pulmonary drainage, to increase pulmonary capacity or if the patient feels unwell.



Backrest and leg section movements are accompanied by auto-regression to reduce pressure on the abdomen and increase patient comfort



Inclination indicators



The entire platform may be adjusted from 360 mm to 795 mm at the touch of a single button. This enables the most suitable height to be set for each individual patient



# INSPIRE 9L17 - 9L18

SUPPLIED AS STANDARD WITH SIDERAIL MOUNTED CONTROL PANEL AND THE FULL POSITION PACK

The INSPIRE 9L17 - 9L18 has been designed to increase patient mobility and reduce the effort of the operator during performance of his or her duties. It is fitted with controls built in to the siderails and the FULL Position Pack. The four-section platform is made of moulded one-piece plastic sections which are removable, easy to clean and

disinfect and have no sharp edges or corners. Each section is small enough to facilitate cleaning and disinfection, even by immersion. The siderails, head and foot boards and mattress platform are designed with reduced gaps and spaces to prevent trapping of the patient in conformity with CEI EN 60601-2-52 standards for hospital beds.



Comfortable integrated push handle



Four-section platform with moulded one-piece sections



The controls built in to the siderails, internally and externally, are easily accessed by both the patient and the operator. Siderail lowering is dampened for increased safety

Moulded one-piece head and foot boards with locking mechanism

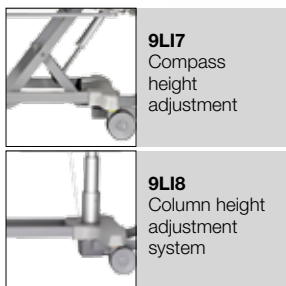
Bumpers to protect the bed and walls in case of impact. Accessories housings



Backrest and leg section movements are accompanied by auto-regression to reduce pressure on the abdomen and increase patient comfort.

150 mm twin wheels with central locking and steering lock. Simple design to facilitate cleaning and disinfection

Plastic cover to facilitate cleaning and disinfection



# INSPIRE 9LI5 - 9LI6

THE MOST ADVANCED BED FOR EFFECTIVE INFECTION CONTROL AND PREVENTION

The **INSPIRE 9LI5 - 9LI6** is the only bed equipped with removable siderails which helps hospital staff during cleaning and disinfection. The siderail removal system is patented. The siderails, head and foot boards and mattress platform are designed with reduced gaps and spaces **to prevent trapping** of the patient in conformity with CEI EN 60601-2-52 standards for hospital beds.



Head and foot boards with comfortable integrated push handle



Moulded one-piece head and foot boards with locking mechanism

Bumpers to protect the bed and walls in case of impact. Accessories housings



Four-section platform with moulded one-piece sections

Removable siderails; patented system



Head and foot boards with comfortable integrated push handle

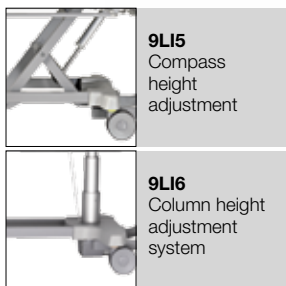


Backrest and leg section movements are accompanied by auto-regression to reduce pressure on the abdomen and increase patient comfort

Red CPR lever on both sides of the bed

Height adjustment, Trendelenburg and reverse Trendelenburg controlled electrically

150 mm twin wheels with central locking and steering lock. Simple design to facilitate cleaning and disinfection



**9LI5**  
Compass height adjustment

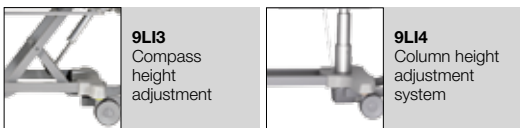
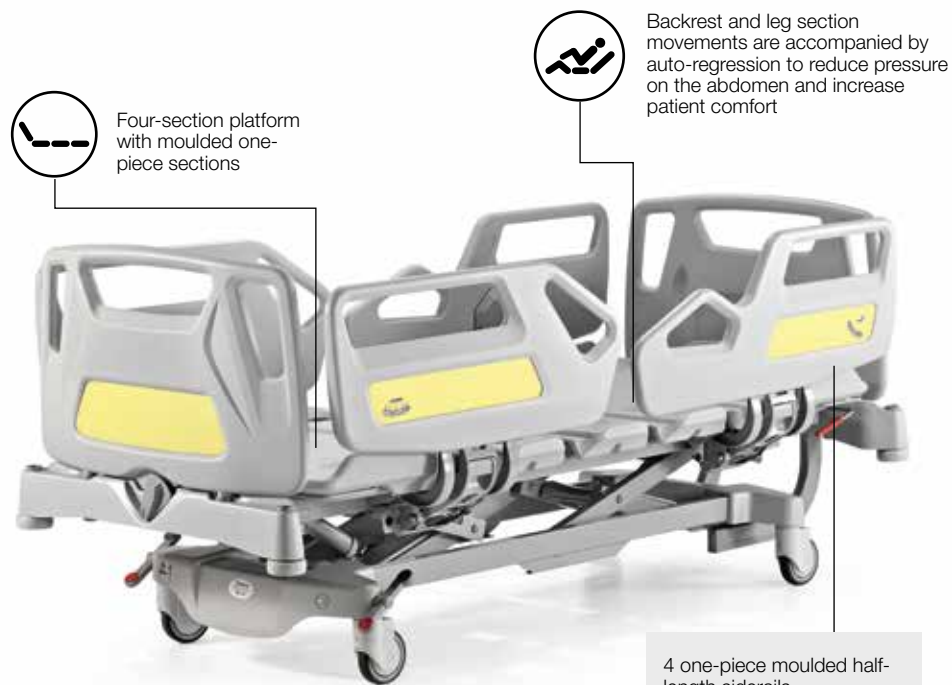
**9LI6**  
Column height adjustment system



ELECTRIC

# INSPIRE 9LI3 - 9LI4

THE MOST FLEXIBLE MODEL WITH 4-SECTION DROP-DOWN SIDERAILS



- One-piece moulded head and foot boards with locking system
- Bumpers to protect the bed and walls in case of impact
- Head/foot boards with comfortable integrated push handle
- Red CPR lever on both sides of the bed
- Height adjustment, Trendelenburg and reverse Trendelenburg controlled
- Siderail lowering is dampened for increased safety

ELECTRIC

# INSPIRE 9LI1 - 9LI2

EQUIPPED WITH DROP-DOWN SIDERAILS FITTED WITH DAMPENING SYSTEM TO SLOW LOWERING



- One-piece moulded head and foot boards with locking system
- Bumpers to protect the bed and walls in case of impact
- Head/foot boards with comfortable integrated push handle
- Red CPR lever on both sides of the bed
- Height adjustment, Trendelenburg and reverse Trendelenburg controlled
- Siderail lowering is dampened for increased safety

ELECTRIC

# INSPIRE 9LI7R (9LI1R - 9LI3R - 9LI5R)

THE INSPIRE RANGE OF BEDS INCLUDES VERSIONS WITH RADIOLUCENT BACKREST



Comfortable integrated push handle



Moulded one-piece head and foot boards with locking mechanism

Bumpers to protect the bed and walls in case of impact. Accessories housings

Plastic cover to facilitate cleaning and disinfection



Backrest and leg section movements are accompanied by auto-regression to reduce pressure on the abdomen and increase patient comfort

The back section is made from radiolucent HPL while the pelvic section, upper and lower leg sections are made from one-piece moulded plastic



The controls built in to the siderails, internally and externally, are easily accessed by both the patient and the operator. Siderail lowering is dampened for increased safety. Built-in inclination indicators

150 mm twin wheels with central locking and steering lock. Simple design to facilitate cleaning and disinfection



**9LI7**  
Compass height adjustment

# INSPIRE 9LI7R (9LI1R - 9LI3R - 9LI5R)



The HPL back section allows x-rays to be taken directly on the bed using mobile equipment. **The radiolucent area measures 700x510 mm.**

Removing the head board provides excellent access to the patient and x-rays can be made without problems.



# INSPIRE - TECHNICAL SPECIFICATIONS

## COLOUR RANGE



Green      Blue      Yellow      Pumpkin      Oak

	INSPIRE 9LI1 INSPIRE 9LI2	INSPIRE 9LI3 INSPIRE 9LI4	INSPIRE 9LI5 INSPIRE 9LI6	INSPIRE 9LI7 INSPIRE 9LI8
--	------------------------------	------------------------------	------------------------------	------------------------------

## CONTROLS

Handset with lockable controls	●	●	●	
BASIC Administrator control panel + handset	●	●	●	
FULL Administrator control panel + handset	●	●	●	
Controls integrated into the siderails FULL positions				●
FULL Administrator position control panel + remote control panel		●	●	

## WHEELS

125 mm single castors	●	●	●	●
150 mm twin-wheel castors	●	●	●	●

## OPTIONAL FEATURES

Up&Down light pack and plug disconnection warning pack	●	●	●	●
Safety & under-bed courtesy light pack	●	●	●	●
Bed extender	●	●	●	●

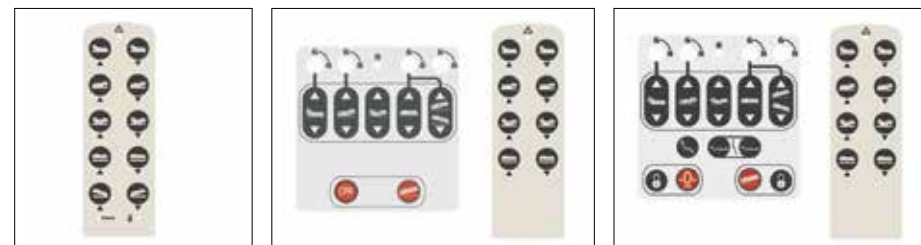
## COMPLIANT WITH

Directive 93/42/EEC modified in compliance with directive 2007/47/EC  
Device classification: Class 1

## APPLIED STANDARDS

IEC EN 60601-1  
IEC EN 60601-2-52

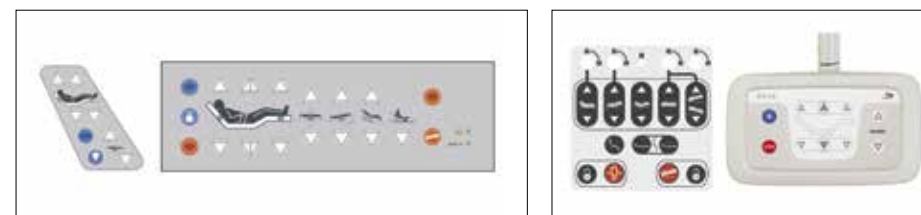
## CONTROL PANEL TYPES



Handset with lockable controls

BASIC Administrator control panel + handset

FULL Administrator control panel + handset



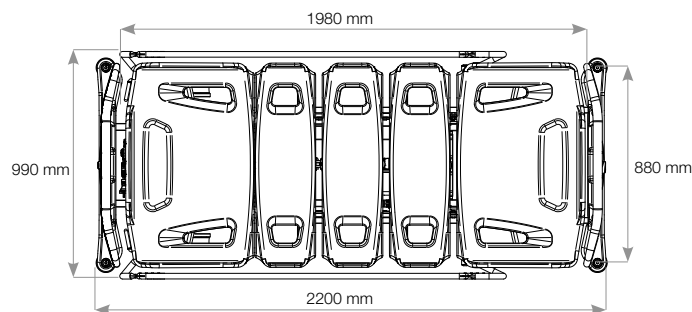
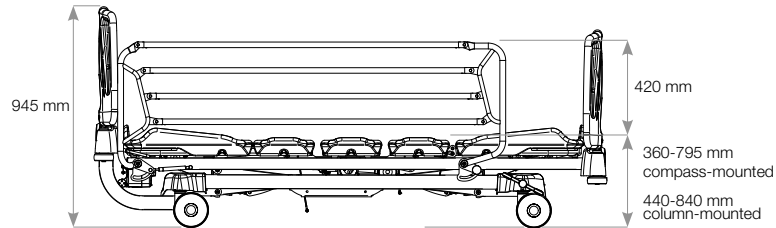
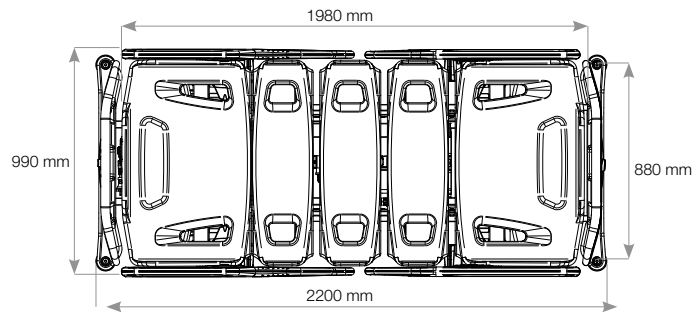
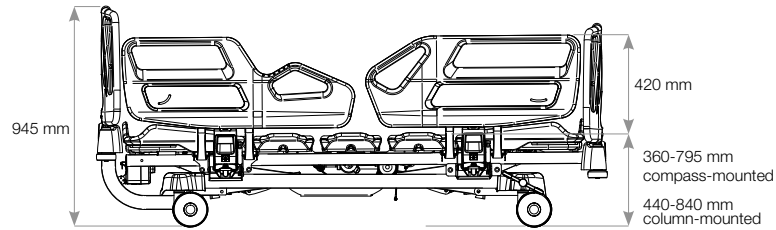
Controls integrated into the siderails - FULL positions

FULL Administrator position control panel + remote control panel

## TECHNICAL DATA SYSTEM

	INSPIRE 9LI1-9LI3-9LI5-9LI7	INSPIRE 9LI2-9LI4-9LI6-9LI8
Height adjustment system	compass	column
Mattress size	1930 x 850 x 200 mm	
Mattress platform size	1980 x 880 mm	
Footprint	2200 x 990 mm	
Siderail height from mattress platform	420 mm	
Height of mattress platform from floor	min 360 to max 795 mm	min 440 to max 840 mm
Weight (without accessories)	120 kg	130 kg
Maximum patient weight	250 kg	
Safe Working Load	310 kg	
Lifting capacity	350 kg	
Wheels	mm. Ø 125 mm. Ø 150	
Back rest inclination	0° to 74°	0° to 74°
Upper leg section inclination	0° to 22.5°	0° to 35°
Lower leg section, inclination from pelvis	0° to 9°	0° to 16°
Trendelenburg position	15,5°±0,5°	17°±0,5°
Reverse Trendelenburg position	13,5°±0,5°	17°±0,5°

# INSPIRE - TECHNICAL SPECIFICATIONS



9LI9080



9LI9110



9LI9501



9LI9134



Available with Bed extender

## ACCESSORIES

- 9LI9501-9503 (R) 2-hook IV pole - plastic or stainless steel, fixed or adjustable height
- 9LI9502-9504 (R) 4-hook IV pole - plastic or stainless steel, fixed or adjustable height
- 9LI9110 Pair of bars with bag hangers
- 9LI9134 Patient lifting pole with adjustable handle
- 9LI9075 Male urinal support
- 9LI9055 Blanket support
- 9LI9078 Bedpan support
- 9LI9080 Vertical cylinder holder 110 mm
- 9LI9081 Vertical cylinder holder 150 mm
- 9LI9605 Full position controls (for Inspire 9LI7 / 9LI8)
- 9LD9150 Fireproof mattress



## BEDS

## MECHANICAL

## HY-50 9L01

HYDRAULIC PATIENT BED WITH FOUR-SECTION MATTRESS PLATFORM AND TRENDELENBURG AND REVERSE TRENDELENBURG POSITIONS



Moulded one-piece siderails with locking mechanism

Bumper to protect the bed and the walls in case of impact

Head/foot boards with integrated push handle

Lever to adjust backrest and upper leg section on both sides

Hydraulic height adjustment, manual Trendelenburg and reverse Trendelenburg

Mattress platform with ABS cover or made from rounded steel bars

## COMPLIANT WITH

Directive 93/42/EEC modified in compliance with directive 2007/47/EC  
Device classification: Class 1

## APPLIED STANDARD

IEC EN 60601-2-52

## MECHANICAL

## HY-50 9LF1

FIXED HEIGHT PATIENT BED, FOUR-SECTION MATTRESS PLATFORM AND SIDERAILS WITH BARS



Moulded one-piece siderails with locking mechanism

Bumper to protect the bed and the walls in case of impact

Head/foot boards with integrated push handle

Lever to adjust backrest and upper leg section on both sides

Fixed height

Piano rete con carter in ABS o tondino metallico

## COMPLIANT WITH

Directive 93/42/EEC modified in compliance with directive 2007/47/EC  
Device classification: Class 1

## APPLIED STANDARD

IEC EN 60601-2-52

## BEDSIDE CABINETS

INTELLIGENT  
USE OF SPACE

## BEDSIDE CABINETS RANGE

**ROTOMOULDING**

Research into innovative materials and improvements in manufacturing technologies have allowed us to develop optimised moulding techniques resulting in this range of bedside cabinets with moulded one-piece components.

**EUROFUTURA**

This range features products made entirely from Baydur, including the frame, the cabinet door, the drawers and the overbed table. Eurofutura carts perform well with excellent resistance to mechanical pressure and acid corrosion. All items may be easily cleaned and disinfected.

**TENDER**

Pleasant shapes, rounded surfaces without sharp edges or hard-to-reach corners to allow deep cleansing and easy care.

**TAVOLO SERVITORE**

The overbed table can be tucked away in the bedside cabinets.

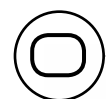
The sliding surface is may be folded away with ease.

## BEDSIDE CABINETS

## MODEL

## ROTOMOULDING

THIS BEDSIDE CABINET HAS TWO FRONTS AND ITS FRAME IS MADE OF MOULDED ONE-PIECE PLASTIC. ITS CORNERS ARE ALL ROUNDED, WITHOUT SHARP EXTERNAL OR INTERNAL EDGES WHERE DIRT AND BACTERIA CAN EASILY ACCUMULATE.



Upper surface with raised edges



The cabinet door and the drawer fronts are made from moulded plastic with a recessed handle or from MDF panels coated with high resistance film, round edges and ellipsoidal cavity for soft handles



One-piece frame with integrated lateral bottle and towel holders (standard)

Base in painted die cast light alloy with bumper and 50 mm twin-wheel swivel castors

9CR5322 Bedside cabinet

9CE0003 Overbed table



9CR6322

The overbed table included in the cabinet rotates on its pivot and it is easy to transfer over the bed. Its height varies from 980mm to 1160 mm. The table also slides horizontally.

The cabinet has two fronts (standard). The drawer can be opened from both sides and the hinged cabinet doors open to 190°.



The cabinet contains **two removable easy-care shelves**:

- The upper shelf is made of layered plastic laminate, thickness 10 mm;
- The lower shelf is made of printed plastic material with holes to allow proper air circulation in the cabinet.

The materials used allow simple and effective disinfection and care. **The cabinet and all its parts are also fully water resistant.**



9CR5322

The cabinet comes as standard with a towel holder on one side and a two-slot bottle holder on the other as standard; both holders are integrated into the cabinet frame.

# BEDSIDE CABINETS

## ROTOMOULDED MODEL

This range has many strengths: **guaranteed easy care, mechanical resistance, light weight and innovative design.** The cabinet

comes with an antibacterial additive used in the plastic material of the cabinet frame which protects the surfaces from bacteria.



9CR6322

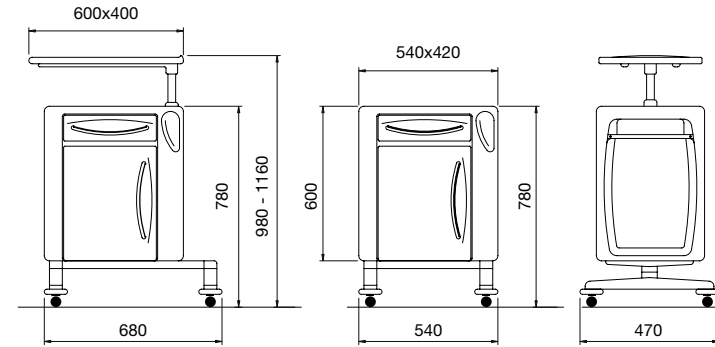


9CR5422



The bedside cabinet may be supplied with a **built-in safe** with rotating stainless steel door and cylinder lock. All possible configurations with the various materials for drawer and door are available.

The compartment was designed and built within the frame and it maintains all the properties of water and mechanical resistance and easy disinfection of the one-piece design.



	TWO-SIDED		TWO-SIDED WITH SAFE	
	WITHOUT TABLE	WITH TABLE	WITHOUT TABLE	WITH TABLE
Plastic	9CR5322	9CR6322	9CR5422	9CR6422
MDF	9CR5324	9CR6324	9CR5424	9CR6424

### COLOUR RANGE - PLASTIC



Abs RAL 5012 Blue



Abs RAL 6027 Green



Abs RAL 7035 Gray



Abs RAL 1028 Yellow

### COLOUR RANGE - MDF



Green 4225



Blue BL 6148



Aquamarine BL 6136



Mocha 15012-8443



Sand AL 2159



Yellow 3918179



Orange GL 3848



Pumpkin 24259



Soft Oak



Birch

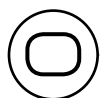


## BEDSIDE CABINETS

## MODEL

## EUROFUTURA

THIS RANGE FEATURES PRODUCTS MADE ENTIRELY FROM BAYDUR, INCLUDING THE FRAME, THE CABINET DOOR, THE DRAWERS AND THE OVERBED TABLE. EUROFUTURA CARTS PERFORM WELL WITH EXCELLENT RESISTANCE TO MECHANICAL PRESSURE AND ACID CORROSION. ALL ITEMS MAY BE EASILY CLEANED AND DISINFECTED



Moulded upper surface with raised edges made of rigid technopolymer Baydur, anti-scratch surface treatment



Removable one-piece drawer with partition



9CR0051

One-piece frame with bottle holder, available with lockable rear storage compartment

Base in painted die cast light alloy, with bumper and ø 50 mm twin-wheel swivel castors.

9CR0050  
9CE0003

Baydur is a completely non-toxic technopolymer material, latex free, flame retardant Class VO 94 V5, fireproof Class 1, with good mechanical resistance and optimal

scratch and abrasion resistance. The product is entirely washable by hand or in a disinfection tunnel at 90° and it has a good resistance to the most commonly used disinfection products.



The upper surface of the single bedside cabinet and the overbed table have **raised edges** to contain liquids in case of spills.

The **rotating hinged cabinet door** opens to 230°. The cabinet contains two **removable easy-care shelves**:

- the upper shelf is made of layered plastic laminate, thickness 10 mm;
- the lower shelf is made of stainless steel with holes to allow proper air circulation in the bedside cabinet.



Rear of the cabinet with standard bottle holder. Accessories fitted: towel holder and safe compartment

9CR9015 Towel holder



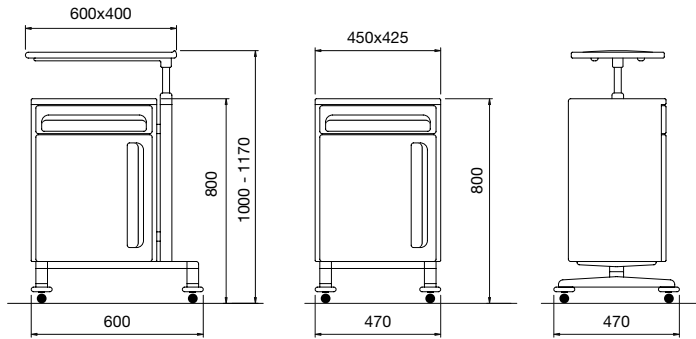
Safe compartment with stainless steel rotating door and cylinder lock. Stainless steel towel holder.

9CR9010 Safe compartment



## BEDSIDE CABINETS

### EUROFUTURA MODEL



	SINGLE-SIDED	
	WITHOUT TABLE	WITH TABLE
Baydur	9CR0050	9CR0051

#### COLOUR RANGE



Baydur RAL 5012 Blue



Baydur RAL 6027 Green



Baydur 317 C Aquamarine



Baydur RAL 1028 Yellow



Baydur RAL 7035 Grey

## BEDSIDE CABINETS

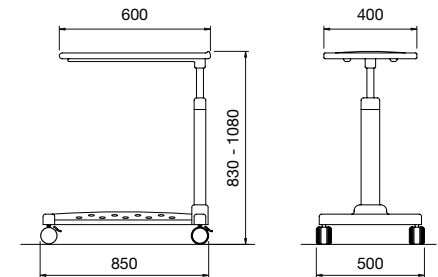
### ASSIST MODEL

# OVERBED TABLE

INDEPENDENT OVERBED TABLE COMPATIBLE WITH CABINETS FROM ANY FAVERO RANGE



9CE0003



# BEDSIDE CABINETS

## MODEL

# TENDER

**SMOOTH SHAPES & ROUNDED SURFACES WITHOUT SHARP EDGES OR HARD-TO-REACH CORNERS TO ALLOW DEEP CLEANSING AND DISINFECTION. INTELLIGENT DESIGN TO MAXIMISE SPACE, INCREASING THE AREA AVAILABLE FOR THE PATIENT TO USE**

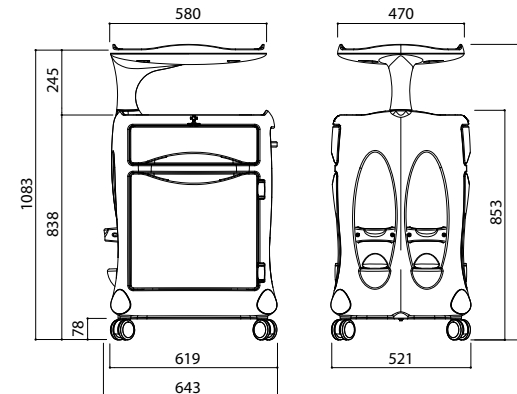


**9COM1007**

Available with a **foldable tray with feet to rest on the bed**. The tray is made of plastic and is easy to clean and disinfect. All models include



an internal shelf made of HPL. The tray can be folded and tucked away inside the frame using the purpose-made guides under the HPL shelf.



### COLOUR RANGE



Drawer available in 5 colours, with matching grey or orange bumper strip.

### CODE

**9COM0005** Bedside cabinet without shelf

**9COM0007** Bedside cabinet without shelf, with breakfast tray

**9COM1005** Bedside cabinet with shelf

**9COM1007** Bedside cabinet with shelf, with breakfast tray

**PRACTICAL,  
FUNCTIONAL,  
INTELLIGENT  
DESIGN**



## MODEL

# MDF

OUR PATIENT WARDROBES ARE MADE WITH MDF DOORS COATED WITH PLASTIC FILM AND ARE HIGHLY DURABLE. THIS RANGE OFFERS SEVERAL SIZES AND CONFIGURATIONS. IT'S ALSO POSSIBLE TO ORDER CUSTOM WARDROBES BASED ON THE LAYOUT OF THE ENVIRONMENT. A CLASS 1 FIREPROOF VERSION IS AVAILABLE.



# WARDROBES

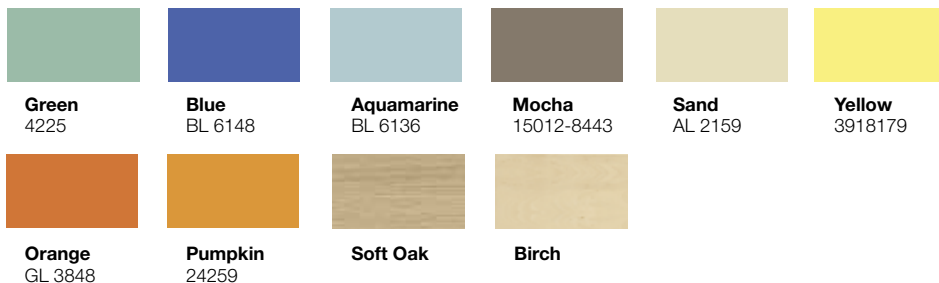
LACK OF SPACE IN HOSPITAL PATIENT ROOMS IS A FREQUENT PROBLEM. THE SOLUTION OFFERED BY FAVERO HEALTH PROJECTS IS A TOTALLY INNOVATIVE PRODUCT, A CONTAINER FOR CLOTHES AND PERSONAL BELONGINGS WHICH DOUBLES AS A BEDSIDE CABINET ALL IN A COMPACT DESIGN AND MOUNTED ON WHEELS

**9AD0316**  
Compact size: 80x50x195 cm



**9CE0003**  
Overbed table

## COLOUR RANGE - MDF DOORS



**9AD9301**  
Removable drawer on metal guides  
**9AD9302**  
Removable basket on metal guides



**9AD9340**  
Hinges kit -180° (extra charge for 1 door upper cabinet)  
**9AD9341**  
Hinges kit - 180° (extra charge for 1 wardrobe door)



**9AD9330**  
Polished edge mirror on inside of wardrobe door: dim. 35x60 cm



**9AD9320**  
Infill panel



**9AD9325**  
Skirting board



Digital safe  
**9AD9312** 35x40x26 cm, 27 litres  
**9AD9311** 28x20x18 cm, 7 litres



**Mod. Emma**



**Mod. Sara**



**Mod. Anna**



**Mod. Elisa**



**Mod. Sonia**

## FRAME MADE OF 20 MM PARTICLE WOOD, THICKNESS - DOORS IN MDF



**9AD0311**  
Patient wardrobe 1 person  
(LxDxH) 46x50x190



**9AD0312**  
Patient wardrobe 2 people  
(LxDxH) 92x50x190



**9AD0313**  
Patient wardrobe 3 people  
(LxDxH) 138x50x190



**9AD0314**  
Patient wardrobe 2 people with 4 doors  
(LxDxH) 138x50x190



**9AD0321**  
Upper cabinet 1 person  
(LxDxH) 46x50



**9AD0322**  
Upper cabinet 2 people  
(LxDxH) 92x50x72



**9AD0323**  
Upper cabinet 3 people  
(LxDxH) 138x50x72

CHAIRS MODEL

OLA / JENNY

CLASSIFIED IN CL.1



9SP4501

**OLA**

The Ola model is a small armchair, curvy and ergonomic, with armrests integrated into the moulded frame and a wrap-around seat design which, along with the backrest, guarantees optimal comfort.



9SP4500

**JENNY**

Jenny is a simple and practical chair, with a high backrest and no armrests.

COLOUR RANGE



White

Red

Grey

	Chair height h	Seat height h	Seat depth h	Seat width A	Chair width A	Chair depth h
<b>OLA - 9SP4501</b> Polypropylene chair with armrests	82	45	54	59	-	-
<b>JENNY - 9SP4500</b> Polypropylene chair without	85	47	47	49	-	-

CARINA

CLASSIFIED IN CL.1



9SP4003

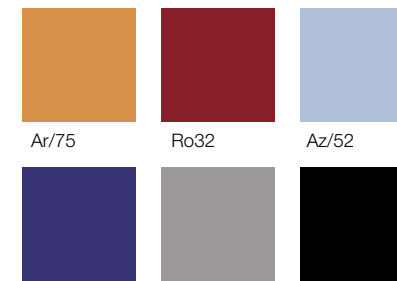
**CARINA**

One-piece seat made from 100% polypropylene. Thanks to the special polypropylene formula and the intelligent design this chair is sturdy and has a controlled elasticity allowing the backrest to bend and sustain even large amounts of pressure. The frame is made from stainless steel profiles (diameter 20 mm, thickness 2 mm) and painted in an aluminium colour. The one-piece seat is made from polypropylene. Under the seat a plastic buffer protects the chair from damage during stacking. Fixed non-slip feet made of PVC.



9SP4002

COLOUR RANGE - PLASTIC (FIREPROOF POLYPROPYLENE)



Ar/75

Ro/32

Az/52

Bl/47

Gr/12

Ne/09

	Chair height h	Seat height h	Seat depth h	Seat width A	Chair width A	Chair depth h
<b>9SP4002</b> Fixed chair without armrests and painted frame	84	45	44	47	53	53
<b>9SP4003</b> Fixed chair with armrests and painted frame	84	45	44	51	57	53



# SEDIE & TAVOLI

## TABLE MODELS

# MDF

ELEGANTLY DESIGNED MDF TABLES. SHAPED WITH DIAMOND-EFFECT BORDERS WITHOUT SHARP CORNERS. THE FRAME IS MADE FROM METALLIC PAINTED ROUND-SECTION SUPPORT LEGS WITH POINTED OR COLUMN-STYLE ENDS FOR SQUARE AND ROUND TABLES. ALSO AVAILABLE IN FIREPROOF VERSIONS.



9PT1099



9PT1095



9PT1077B

9PT1009C

9PT1099C

### COLOUR RANGE - MDF TOPS



	WIDTH	DEPTH	HEIGHT
<b>9PT1077B</b> Low square table	70	70	45
<b>9PT1009C</b> Round table - column	90 Ø	-	78
<b>9PT1099</b> Square table	90	90	78
<b>9PT1099C</b> Square table - column	90	90	78
<b>9PT1095</b> Rectangular table	90	55	78
<b>9PT1135</b> Large rectangular table	135	55	78

# COMFORTABLE, SAFE ERGONOMIC CHAIRS

## MODEL

# MEMORY

THE MEMORY ARMCHAIR RANGE IS PARTICULARLY RECOMMENDED FOR PATIENTS WITH MODERATE MOBILITY WHO ARE NOT ALWAYS ABLE TO MOVE AROUND INDEPENDENTLY BUT WHOSE CLINICAL SITUATION IS NOT PARTICULARLY SERIOUS

The adjustable backrest and leg section help move the patient from the bed to a sitting position, promoting early mobilisation which is known to be beneficial



The height of the armrest can be adjusted to pre-set positions using a button located on the front part of the armrest support



The easy-to-use levers allow the patient to adjust the backrest and leg sections autonomously

The leg section can be inclined to reduce possible overload to the circulatory system



9SP5131

# RELAX ARMCHAIRS

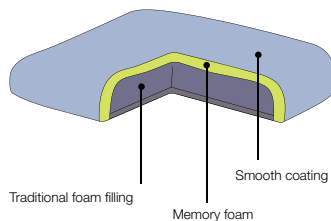
This large, sturdy chair provides **great stability** and guarantees patient safety at all times. The big castors ensure safe displacement of the patient and **safety** is also guaranteed while the chair is stationary by the brakes which are fitted to each castor. The brakes are an important feature of this chair which was designed to promote early mobilisation. Correct use of the brakes avoids the risk of falls during independent patient movement.

The ability to **lower the armrest to seat height** is of great importance. Patients with reduced mobility in the lower limbs can transfer themselves autonomously from the bed to the armchair and vice versa without hitting the armrest, as long as the bed is at a minimum height equal to the height of the seat. In an emergency the nurse can easily transfer the patient onto the bed or the stretcher to begin CPR procedures.

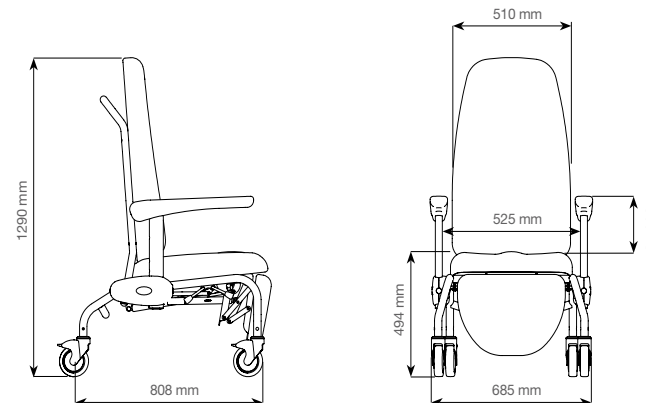


**9SP9165**  
Form-fitting headrest improves patient comfort both in a sitting and horizontal position

**9SP9175**  
Thermoformed ABS table



**PADDING: MEMORY FOAM**  
The seat, backrest and leg section are padded with traditional rubber, with **an overlapping layer of visco-elastic material (Memory Foam)**



## COLOUR RANGE



## TECHNICAL SPECIFICATIONS

Medical device class	I
Maximum footprint	808 x 685 x 1290
Weight of the armchair (without accessories)	mm
Safe working load (swl)	27 kg

	9SP5100	9SP5110	9SP5120	9SP5130
--	---------	---------	---------	---------

### WITH FOUR FEET

Fixed backrest	●			
Adjustable backrest		●		●
Adjustable leg section				●
Synchronised backrest and leg section movement			●	

	9SP5101	9SP5111	9SP5121	9SP5131
--	---------	---------	---------	---------

### WITH FOUR 125 MM WHEELS

Fixed backrest	●			
Adjustable backrest		●		●
Adjustable leg section				●
Synchronised backrest and leg section movement			●	

## ACCESSORIES

**9SP9150** IV pole with 2 hooks

**9SP9165** Headrest

**9SP9170** Bag holder

**9SP9180** Footrest

**9SP9175** Table

## COMPLIANT WITH

Directive 93/42/EEC modified in compliance with directive 2007/47/EC  
Device classification: Class 1

## RELAX ARMCHAIRS

## MODEL

## BASIC

THE BASIC ARMCHAIR RANGE IS PARTICULARLY RECOMMENDED FOR PATIENTS WITH GOOD MOBILITY WHO ARE ABLE TO MOVE AROUND WITH A HIGH DEGREE OF INDEPENDENCE. THESE ARMCHAIRS CAN ALSO BE USED BY GUESTS AND HELPERS DURING WAITING OR RESTING TIME.

The adjustable backrest and leg section help move the patient from the bed to a sitting position, promoting early mobilisation which is known to be beneficial



The levers can easily be reached by patients who can change position independently



9SP0043M

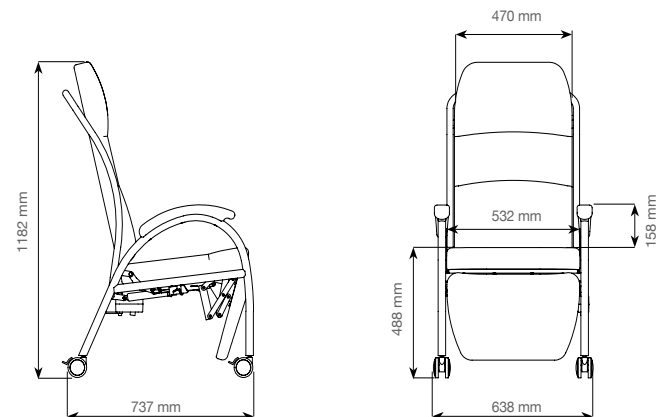
The patient can easily and safely incline the backrest and put weight on the specially designed armrests for support in order to stand up from the armchair. When the leg section is in use the patient's weight is distributed more evenly, reducing contact pressure

The armchair is available with support for paper bedsheet roll and on castors to assist with patient movement

Backrest and leg section can be adjusted independently or simultaneously

## COMPLIANT WITH

Directive 93/42/EEC modified in compliance with directive 2007/47/EC  
Device classification: Class 1



## COLOUR RANGE



## TECHNICAL SPECIFICATIONS

Medical device class	I
Maximum footprint	737 x 638 x 1182
Weight of the armchair (without accessories)	mm
Safe working load (swl)	23 kg

## WITH FOUR FEET

	9SP0042M	9SP0043M
Adjustable backrest		●
Adjustable footrest		●
Synchronised backrest and leg section movement	●	
Fixed armrest	●	●

## WITH FOUR 75 MM WHEELS

	9SP0047M
Adjustable backrest	●
Adjustable footrest	●
Synchronised backrest and leg section movement	●
Fixed armrest	●

## ACCESSORIES

9SP9101	Plastic IV pole with 2 hooks
9SP9102	Plastic IV pole with 4 hooks
9SP9103	Stainless steel IV pole with 2 hooks
9SP9104	Stainless steel IV pole with 4 hooks
9SP9110	Roll holder
9SP9115	Cushion

# PAEDIATRICS

## SPECIALLY DESIGNED PRODUCTS FOR THE YOUNGEST PATIENTS



Paediatrics deals with the physiology and pathology of children and teenagers. Due to their age and emotional fragility, these patients have even more specific needs requiring greater attention and care.

The solutions we propose are **designed for children**, also taking into account the needs of parents and operators. Our aim is to create a **welcoming and functional environment guaranteeing the highest level of hygiene and safety at the same time.**

## PAEDIATRICS INDEX



### BEDS

pg. 72

Beds in the paediatric range are safe and welcoming, thanks to soft shockproof components and to the absence of sharp edges. They are available in various colours and with see-through surfaces to ensure better child supervision.



### COTS

pg. 94

See-through materials ensure visibility of the newborn and the bases are designed to allow the cradles to be positioned close to a bed. Hygiene and safety are only two of the features of our cots, which are designed for the care of newborn babies from their first days.



### BABY-CHANGING

pg. 96

These units are genuinely practical and flexible with multiple sections. Light and resistant, our changing units have a functional design integrating traditional features with the most modern solutions.



### PAEDIATRIC FURNITURE

pg. 102

This range is designed to transform the paediatric hospital room into a comfortable and welcoming environment capable of putting a smile on the faces of little ones and adults alike.



# PROMOTING REST AND MOBILITY

## BED RANGE



### EMBRACE - EMBRACE PLUS

The Embrace paediatric bed, with its simple and modern design, follows the highest standards in terms of safety and infection control. Available in manual or electric versions.



### HORIZON 200 - HORIZON 300

The HORIZON 200 and 300 are paediatric beds designed to comply with the highest standards in terms of safety, ease of care and disinfection. Available in manual or electric versions.



### HORIZON 400

Intensive care bed designed with a series of features which make it adaptable to any critical clinical situation, providing a healthy and clean environment where hospital staff can look after newborn babies.



### HORIZON 20

Small manually-operated two-section paediatric bed. The position of the backrest is adjustable as is the height of the platform. Trendelenburg and reverse Trendelenburg positions are available.



### HORIZON 30

Extendible paediatric bed with adjustable height and electric movement.

# EMBRACE mechanical

EMBRACE IS OUR NEW TWO-SECTION PAEDIATRIC BED

The Embrace paediatric bed, with its simple and modern design, follows the highest standards in terms of safety and infection control.

**With adjustable backrest and platform, Trendelenburg and reverse Trendelenburg positions.**



Reduced gap between bars for increased safety

Choice available between siderails made of rounded steel bars or Plexiglas

The height of the mattress platform can be adjusted to be comfortable for both the child and the operator



Washable 125 mm single-brake castors

Steel mattress platform with ABS cover



Standard removable headboard. Removable footboard available

Manual adjustment of the mattress platform. The mattress platform is made with removable ABS covers; steel siderails

The height of the siderails from the mattress base is 70 cm

9LP0070

# EMBRACE - PLUS electric

EMBRACE IS OUR NEW TWO-SECTION PAEDIATRIC BED

The Embrace paediatric bed, with its simple and modern design, follows the highest standards in terms of safety and infection control.

With manually adjustable backrest, electric Trendelenburg and reverse Trendelenburg positions and electric height adjustment.



Reduced gap between bars for increased safety

Control panel with lockable controls

Choice available between siderails made of rounded steel bars or Plexiglas

The height of the mattress platform can be adjusted to be comfortable for both the child and the operator

Washable **anti-static** 125 mm central-locking castors

Steel mattress platform with ABS cover

Standard removable headboard. Removable footboard available

Electric raising of the mattress platform. The platform is made with ABS removable covers and coated steel sides

The height of the siderails from the mattress base is 70 cm

9LP0080

## EMBRACE FEATURES



The siderails can be fully raised or lowered or they can be set at an intermediate position. The bed is equipped with Trendelenburg and reverse Trendelenburg positions.



The plastic support posts have a **simple design and smooth surfaces** to allow easy care and disinfection. The gaps between the head/foot boards and the siderails were reduced for **increased safety**.  
**The height of the siderails from the platform is 70 cm** for increased safety and protection of the child.

## TECHNICAL SPECIFICATIONS EMBRACE

	EMBRACE	EMBRACE PLUS
<b>TECHNICAL DATA</b>		
Raising system	mechanical	electrical
Platform	2 sections	
Platform size	1260 x 600 mm	
Footprint	1660 x 860 x 1450 h	1530 x 860 x 1450 h
Height of mattress base from floor	from min 740 to max 990 mm	from min 740 to max 1020 mm
Height of siderails from platform	700 mm	
Siderails	Vertical bars made from polished steel	
Max patient weight	70 kg	120 kg
Safe working load	150 kg	150 kg
Wheels	4 125 mm wheels with braking system	
Backrest inclination	0° to 72° gas spring assisted	
Trendelenburg position	max 12,0 ± 0,5°	
Reverse Trendelenburg position	max 12,0 ± 0,5°	

### ACCESSORI

<b>9LP9001</b>	Paediatric mattress
<b>9LP9021</b>	Hanger for IV pole
<b>9LP9022</b>	IV pole with 2 plastic hooks
<b>9LP9024</b>	IV pole with 4 plastic hooks
<b>9LP9009</b>	Stainless steel clothing basket

### COMPLIANT WITH

Directive 93/42/EEC modified in compliance with directive 2007/47/EC  
 Device classification: Class 1

### APPLIED STANDARD

IEC EN 60601-1



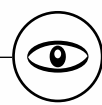
MODELLO

# HORIZON 200 mechanical

PAEDIATRIC BED DESIGNED TO COMPLY WITH THE HIGHEST STANDARDS IN TERMS OF SECURITY, EASE OF CARE AND DISINFECTION



Height of siderails from mattress platform = 80 cm, compliant with DIN 32623 standard



The unique design of the head and foot boards allows **complete visibility** and supervision of the child. Furthermore, unlike traditional boards, Plexiglas is extremely easy and quick to clean.

The head and foot boards allow **direct access to the mattress base** for ease of care. **The plastic one-piece head and foot boards are very easy to clean**, they can be washed quickly and effectively to prevent cross-infection between patients



Manual system for adjusting the height of the mattress platform

The sturdy and robust design of the frame guarantees **safe transport of the child and of the bed**. The frame is coated in ABS plastic and may be fully accessed for cleaning

The mattress base is made of PE plastic and it can be **easily accessed** for cleaning from above and below. Its design is unique: all surfaces can be easily accessed for cleaning and all parts are moulded as one-piece components, including the mattress containment ridges and handles

9LP00552

Single-brake 125 mm wheels



BEDS

# HORIZON 300 electric

**PAEDIATRIC BED DESIGNED TO COMPLY WITH THE HIGHEST STANDARDS IN TERMS OF SECURITY, EASE OF CARE AND DISINFECTION**

The head and foot boards allow **direct access to the mattress base** for ease of care. **The plastic one-piece head and foot boards are very easy to clean**, they can be washed quickly and effectively to prevent cross-infection between patients



The sturdy and robust design of the frame guarantees **safe transport of the child and of the bed**. The frame is coated in ABS plastic and may be fully accessed for cleaning.



Height of siderails from mattress platform = 80 cm, compliant with DIN 32623 standard



The unique design of the head and foot boards allows **complete visibility** and supervision of the child. Furthermore, unlike traditional boards, Plexiglas is extremely easy and quick to clean.

Control panel with lockable controls

Electric system for adjusting the height of the mattress platform

The mattress base is made of PE plastic and it can be **easily accessed** for cleaning from above and below. Its design is unique: all surfaces can be easily accessed for cleaning and all parts are moulded as one-piece components, including the mattress containment ridges and handles

9LP0060

Single-brake 125 mm central-locking wheels

## HORIZON 200/300 FEATURES



The **quick and easy** removal of head/foot boards allows easy access to the child in case of emergency.



The **siderails can be locked in 2 positions**, allowing family members and medical staff to access the child easily, without the need to bend. At the same time they provide a **safe and easy-to-set-up barrier** when the child is left without supervision. The double locking mechanism avoids accidental unlocking by the operator and prevents the child from unlocking the siderail. The gas spring system prevents the siderail from falling when unlocked and helps when returning it to the upright position, effectively making it lighter.

## TECHNICAL SPECIFICATIONS

	HORIZON 200	HORIZON 300
<b>TECHNICAL DATA</b>		
Platform	2 sections	
Mattress size	1460 x 720 x 100 mm	
Platform size	1470 x 715 mm	
Footprint	1885 x 870 mm	
Height of mattress base from floor	from min 695 mm to max 995 mm	from min 695 mm to max 970 mm
Location of the variable height mechanism	At both head and foot end	Electric with control panel
Height of siderails from platform	from min 355 mm to max 800 mm	
Siderails	Plexiglas	
Max patient weight	105 kg	
Safe working load	130 kg	
Wheels	4 125 mm twin wheels with braking system	
Backrest inclination	0° to 70° gas spring assisted	
Trendelenburg position	max 12,5 ± 0,5°	
Reverse Trendelenburg position	max 12,5 ± 0,5°	

### ACCESSORIES

<b>9LP9210</b>	Paediatric mattress
<b>9LP9230</b>	01 Emergency kit
<b>9LP9250</b>	Adjustable plastic IV pole with two hooks
<b>9LP9251</b>	Adjustable stainless steel IV pole with two hooks
<b>9LP9255</b>	Clothing basket

### COMPLIANT WITH

Directive 93/42/EEC modified in compliance with directive 2007/47/EC  
Device classification: Class 1

### APPLIED STANDARD

IEC EN 60601-1

MODEL

# HORIZON 400

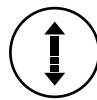
# HORIZON 400 precision

PAEDIATRIC INTENSIVE CARE BED FOR THE TREATMENT OF INFANTS IN CRITICAL SITUATIONS



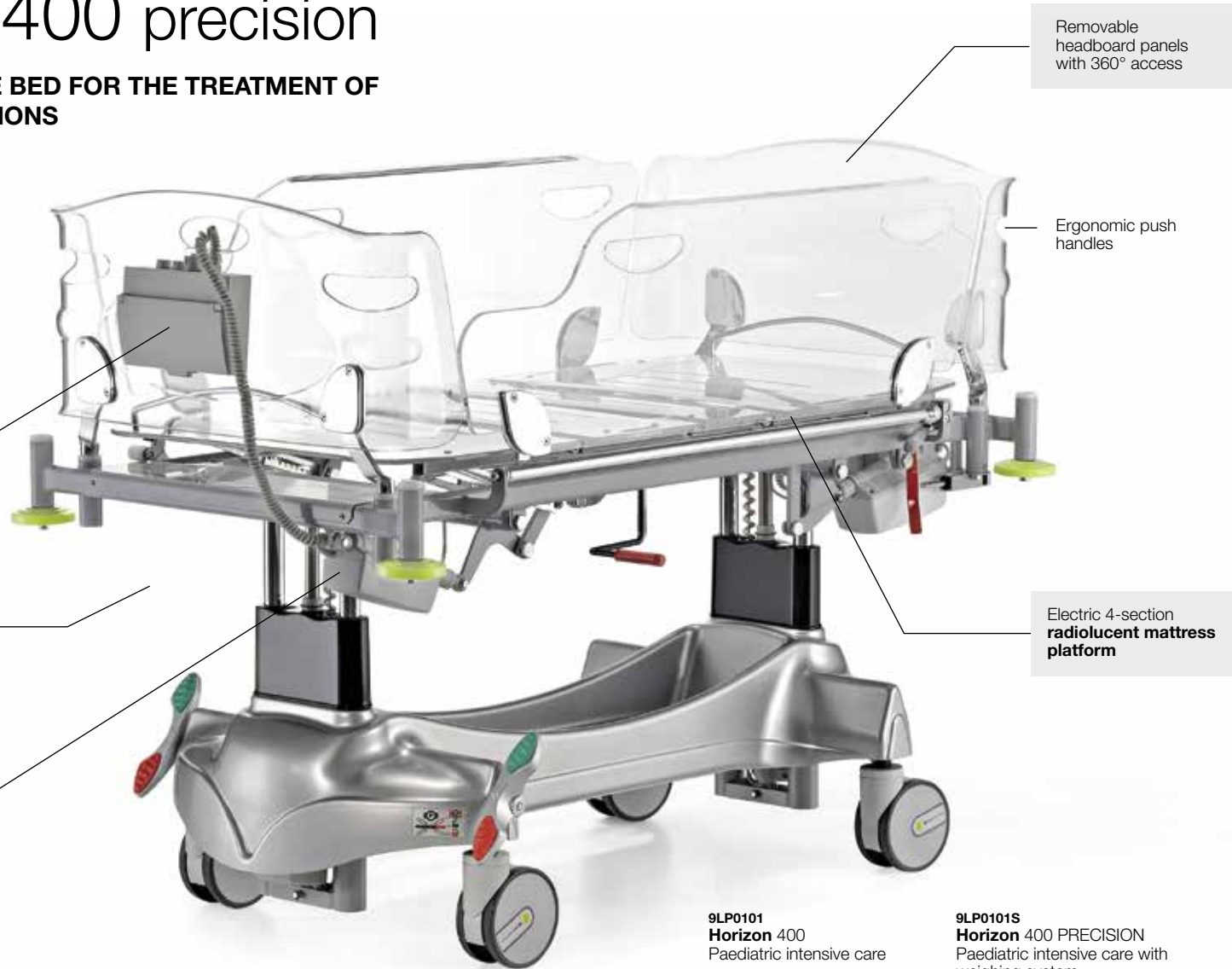
The siderails are designed for ease of care and visibility

Operator control panel with lockable controls



Electric height adjustment. Electric Trendelenburg and reverse Trendelenburg positions

Rating IPX6: all electric actuators are washable and waterproof



Removable headboard panels with 360° access

Ergonomic push handles

Electric 4-section radiolucent mattress platform

**9LP0101**  
**Horizon 400**  
Paediatric intensive care

**9LP0101S**  
**Horizon 400 PRECISION**  
Paediatric intensive care with weighing system

## HORIZON 400 FEATURES



Electric Trendelenburg and reverse Trendelenburg positions offer **great flexibility** in the positioning and care of the patient. If the child is feeling unwell, **the highest position can be selected quickly and easily** and it can be quickly reset in case of emergency. For safety reasons these controls can be locked-out by hospital staff.



The easy **removal of the headboard panels** allows direct access to the **mattress platform for ease of care**. All plastic parts ensure easy, effective and quick cleaning of the surface, preventing cross-infection between patients.



In intensive care it is important for the anaesthetist to **have access from the head side** in case a patient needs to be intubated: the removable headboard panels are designed with this in mind. Furthermore, **lowering the siderails allows 360° access to the child**, which is essential to prevent incidents with ventilators or wires and therefore guarantees maximum safety to the patient at all times.

## TECHNICAL SPECIFICATIONS

	HORIZON 400	HORIZON 400 PRECISION
<b>TECHNICAL DATA</b>		
Platform	4 sections	
Mattress size	1280 x 650 x 60 mm	
Platform size	1310 x 650 mm	
Footprint	1525 x 875 mm	
Height of mattress base from floor	from min 640 mm to max 870 mm	
Location of Operator Control Panel	At foot end	
Height of siderails from platform	from min 210 mm to max 342 mm	
Max patient weight	70 kg	
Safe working load	90 kg	
Wheels	4 150 mm twin wheels with braking system da 0° a 71° from	
Backrest inclination	0° to 71° gas spring assisted	
Upper leg section inclination	from 0° to 23.5°	
Trendelenburg position	max 12,5 ± 0,5°	
Reverse Trendelenburg position	max 12,5 ± 0,5°	
Weighing system	YES	NO

## ACCESSORIES

<b>9LP9101</b>	Materasso letto rianimazione pediatria da 1280 x 650 x 60 h
<b>9LP9036</b>	Barra normalizzata estraibile lato testa 25 x 10 mm
<b>9LP9037</b>	Barra supporto Ecmo
<b>9LP9007</b>	Supporto cassetta radiologica

## COMPLIANT WITH

Directive 93/42/EEC modified in compliance with directive 2007/47/EC  
Device classification: Class 1 & Class 1M with weighing system

## APPLIED STANDARD

IEC EN 60601-1



MODEL

# HORIZON 20

## MANUAL TWO-SECTION PAEDIATRIC BED WITH ADJUSTABLE BACKREST



9LP0040



9LP0023

## TECHNICAL SPECIFICATIONS HORIZON

	9LP0020	9LP0022	9LP0023	9LP0040
<b>TECHNICAL DATA</b>				
Two-section platform	Rounded steel, fixed	Made from plastic, removable		
Mattress platform size	mm 650x1300	mm 650x1300	mm 700x1640	mm 650x1300
Footprint	mm 800x1635x1270	mm 800x1635x1270	mm 850x1960x1330	mm 800x1635x1270
Height of mattress platform from floor	mm 650 / 900	mm 650 / 900	mm 710 / 960	mm 650 / 900
Height of siderails from mattress platform	mm 620	mm 620	mm 620	mm 550
Height of siderails from floor	mm 890 / 1330	mm 890 / 1330	mm 890 / 1330	mm 740 / 1270
Safe working load	Kg. 70	Kg. 70	Kg. 70	Kg. 70
Wheels	12.5 mm twin-wheel swivel castors with independent single brake			
Backrest inclination	From 0° to 74°	From 0° to 74°	From 0° to 74°	From 0° to 74°
Trendelenburg	max 12,0 ± 0,5°			
Reverse Trendelenburg	max 12,0 ± 0,5°			

### ACCESSORIES

<b>9LP9001</b>	Padded mattress	Compatible with 9LP0020 - 9LP0022 - 9LP0040
<b>9LP9003</b>	Padded mattress	Compatible with 9LP0023
<b>9LP9009</b>	Stainless steel clothing basket 60x55x15	Compatible with 9LP0020 - 9LP0022 - 9LP0023 - 9LP0040
<b>9LP9021</b>	Hanger for IV pole	Compatible with 9LP0020 - 9LP0022 - 9LP0023 - 9LP0040
<b>9LP9022</b>	IV pole with 2 plastic hooks	Compatible with 9LP0020 - 9LP0022 - 9LP0023 - 9LP0040
<b>9LP9023</b>	IV pole with 4 plastic hooks	Compatible with 9LP0020 - 9LP0022 - 9LP0023 - 9LP0040
<b>9LP9024</b>	IV pole with 2 stainless steel hooks	Compatible with 9LP0020 - 9LP0022 - 9LP0023 - 9LP0040
<b>9LP9025</b>	IV pole with 4 stainless steel hooks	Compatible with 9LP0020 - 9LP0022 - 9LP0023 - 9LP0040

### COMPLIANT WITH

Directive 93/42/EEC modified in compliance with directive 2007/47/EC  
Device classification: Class 1



## MODEL

## HORIZON 30

## EXTENDIBLE PAEDIATRIC BED WITH ELECTRICAL MOVEMENTS



Extension section adjusted via an electrical actuator allowing an **extension of up to 30 cm.**

The bed is supplied as standard with manually height adjustable bar-type siderails. The siderails automatically adjust when the extension is in use.



## HORIZON 30 - TECHNICAL SPECIFICATIONS

HORIZON 30	
<b>TECHNICAL DATA</b>	
Mattress platform	2 sections
Mattress platform size	Variable length from 1600 to 1900 mm
Total size (extended)	950 x 1806 x 1499 mm (maximum height)
Height of mattress platform from floor	from min 500 mm to max 900 mm
Position of height adjustment mechanism	electrical with control panel
Height of siderails from mattress platform	567 mm
Siderails	Bars
Maximum patient weight	140 kg
Safe working load	175 kg
Wheels	4 wheels either 125 mm or 150 mm with braking system
Backrest inclination	from 0° to 85° gas spring assisted
Trendelenburg position	max 18,5 ± 0,5°
Reverse Trendelenburg position	max 18,5 ± 0,5°
Extension	electrical adjustment from 0 to 300 mm

## ACCESSORIES

<b>9LP9005</b>	Paediatric mattress 160 x 83 x 12
<b>9LP9006</b>	Extension paediatric mattress
<b>9LD9501</b>	IV pole with 2 plastic hooks
<b>9LD9502</b>	IV pole with 4 plastic hooks
<b>9LD9503</b>	IV pole with 2 stainless steel hooks
<b>9LD9504</b>	IV pole with 4 stainless steel hooks
<b>9LD9501R</b>	Adjustable IV pole with 2 plastic hooks
<b>9LD9502R</b>	Adjustable IV pole with 4 plastic hooks
<b>9LD9503R</b>	Adjustable IV pole with 2 stainless steel hooks
<b>9LD9504R</b>	Adjustable IV pole with 4 stainless steel hooks
<b>9LD9132</b>	Patient lifting device
<b>9LD9134</b>	Patient lifting device with adjustable handle
<b>9LP9040</b>	Removable headboard

## COMPLIANT WITH

Directive 93/42/EEC modified in compliance with directive 2007/47/EC  
Device classification: Class 1

## STANDARD APPLIED

IEC EN 60601-1

MODEL

# HORIZON 10



9CU0005



**CRADLE WITH MATTRESS AND TROLLEY**

Frame made from epoxy-coated steel tube with four 75 mm twin-wheel single-brake swivel castors. Cot made from moulded transparent shock absorbent plastic with holes for air circulation. Padded mattress covered in washable plastic.



9CU0015

**CRADLE WITH ADJUSTABLE HEIGHT WITH TROLLEY AND MATTRESS**

Cot support frame made from epoxy coated steel tube with raised edges. The Cot can be reclined. Hydraulic lifting system.



9CU9002

Cot dome, moulded from shatterproof plastic with ventilation holes



9CU9000

Padded mattress covered with washable plastic



9CU9003

Cot made from moulded shatterproof plastic with ventilation holes



9CU9005

Cot unit made from polished steel with a laminated plastic front. Removable plastic inner container

	9CU0005	9CU0015
<b>TECHNICAL DATA</b>		
Footprint of cot with trolley	770 x 480 x 890 mm	770 x 500 x 1090/1305 mm
Height from floor to baby resting surface	660 mm	820/1035 h mm
Size of transparent methacrylate cot (LxDxH)	770 x 480 x 210/270 mm	770 x 480 x 210/270 mm
Mattress size	610 x 370 x 50 (thickness) mm	610 x 370 x 50 (thickness) mm
Safe working load	10 kg	10 kg
Wheels	4 with brake - 75 mm	4 with brake - 75 mm
Weight	12 kg	16,2 kg

**COMPLIANT WITH**

Directive 93/42/EEC modified in compliance with directive 2007/47/EC  
Device classification: Class 1

BABY-CHANGING UNITS

TRADITIONAL  
FUNCTIONS AND  
INNOVATIVE  
DESIGN



BABY-CHANGING UNITS RANGE



**SHARON PRAXIS**

Available in models with 90 or 120 cm surface, these versatile products are adaptable to suit every need.



**SHARON 200**

Our Sharon 200 range of baby-changing units includes a heated mattress and an optional overhead lamp.



**ZERO FIRE**

This is a complete range of baby-changing units where the little patients receive their first care, specifically designed for use by obstetricians.

# BABY-CHANGING UNITS

## MODEL

# SHARON PRAXIS AND SHARON 200

THESE BABY-CHANGING UNITS, AVAILABLE IN MODELS WITH A 90 OR 120 CM SURFACE, ARE VERSATILE AND ADAPTABLE TO EVERY NEED

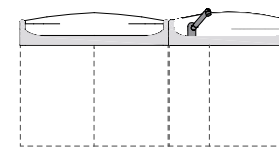
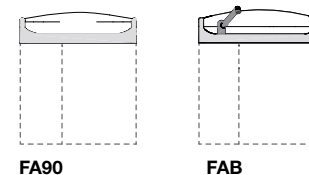


The baby-changing unit can be provided as a simple baby-changing surface, **but also with a complex monitoring system which controls the mattress temperature and manages data about the newborn such as body temperature, height, weight and ID code.** In the most complete version, the control system can be paired with a scale integrated

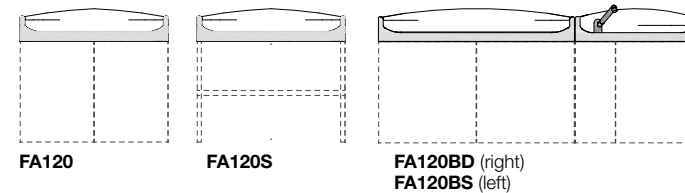
under the surface of the baby-changing unit. The control panel has a practical keyboard providing access to all functions and data management, as well as a display which can be used to adjust the temperature of the mattress.

## TECHNICAL INFORMATION

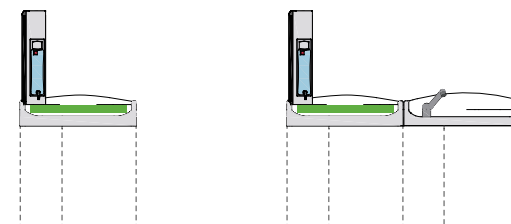
### SHARON PRAXIS



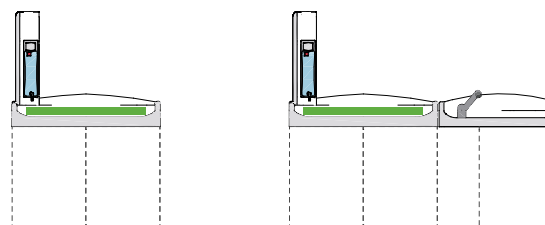
FA90BD (right)  
FA90BS (left)



### SHARON 200



9FS90                      9FS90B



9FS120                      9FS120B

All baby-changing units are compatible with modules from the Praxis range.

Sharon 200 models have a **heated mattress** (standard) and can be **equipped with an optional lamp.**

# BABY-CHANGING UNITS

## ZEROFIRE

# 9ZERO1123

**SPECIFICALLY DESIGNED FOR USE BY MIDWIVES, THIS BABY-CHANGING UNIT HAS A BATH AND EXAMINATION TABLE WHERE THE LITTLE PATIENTS RECEIVE THEIR FIRST CARE**



Padded changing pad, width 975 mm

Compartment for consumables with roll-up door

**Hygiene** is assured by the surface made from Dupont™ Corian® instead of plastic. The unit has **wheels and extendible tubes for hydraulic connection up to 2m**. This allows for easy movement of the bed which up to now was made difficult as the unit was connected to the wall. The bath is unique on the market thanks with an **ergonomic shape** designed specifically for bathing newborn babies.

Twin-wheel castors for small movements of the unit to assist with deep and complete cleaning of the room



**9ZERO1124**

Complete changing unit



**9ZERO1122**

Baby-changing unit with resting area, drawers and roll-up door



**9ZERO1121**

Bath with wheels for transport



**9ZERO1120**

Small changing unit on wheels with roll-up door



## PAEDIATRIC FURNITURE

CHILD-FRIENDLY  
FURNITURE

Children spending a long time in hospital should be allowed to maintain a **connection with what they consider normal**. Everything should be designed and organised to reduce the feeling of strangeness as much as possible. For this reason we have developed paediatric hospital furniture **which recalls the design of children's bedrooms thanks to the use of shapes and bright colours**. Stars, lines and dots can turn into smiling faces and beautiful

landscapes with a little imagination, provoking a smile and creating a warm and familiar environment easier to get acquainted with. **This is an intelligent and innovative solution** which still provides Favero's unbeatable standards of quality, functionality, hygiene, resistance and safety. These are the basic conditions from which we start to develop each of our projects.



# CONSULTING ROOMS & CLINICS

A RANGE TO SUPPORT  
A VARIETY OF  
SPECIALIST NEEDS



The wide range of Favero products for consulting rooms and clinics facilitates the creation of comfortable spaces, customised and organised based on the real needs of operators.

We believe that intelligent design of the work-space is vital **for the creation of functional and efficient environments** which meet both operator and patient needs.

## CONSULTING ROOMS & CLINICS - CONTENTS



### TREATMENT TABLES

pg. 104

The wide range of treatment tables, available in fixed or adjustable height versions, provides a solution for all needs, ideal for doctors and nurses during diagnosis and treatment.



### ACCESSORIES

pg. 116

This is a range of products that provides effective and safe organisation of working environments through the use of technologically advanced and certified components which are robust and easy to clean.



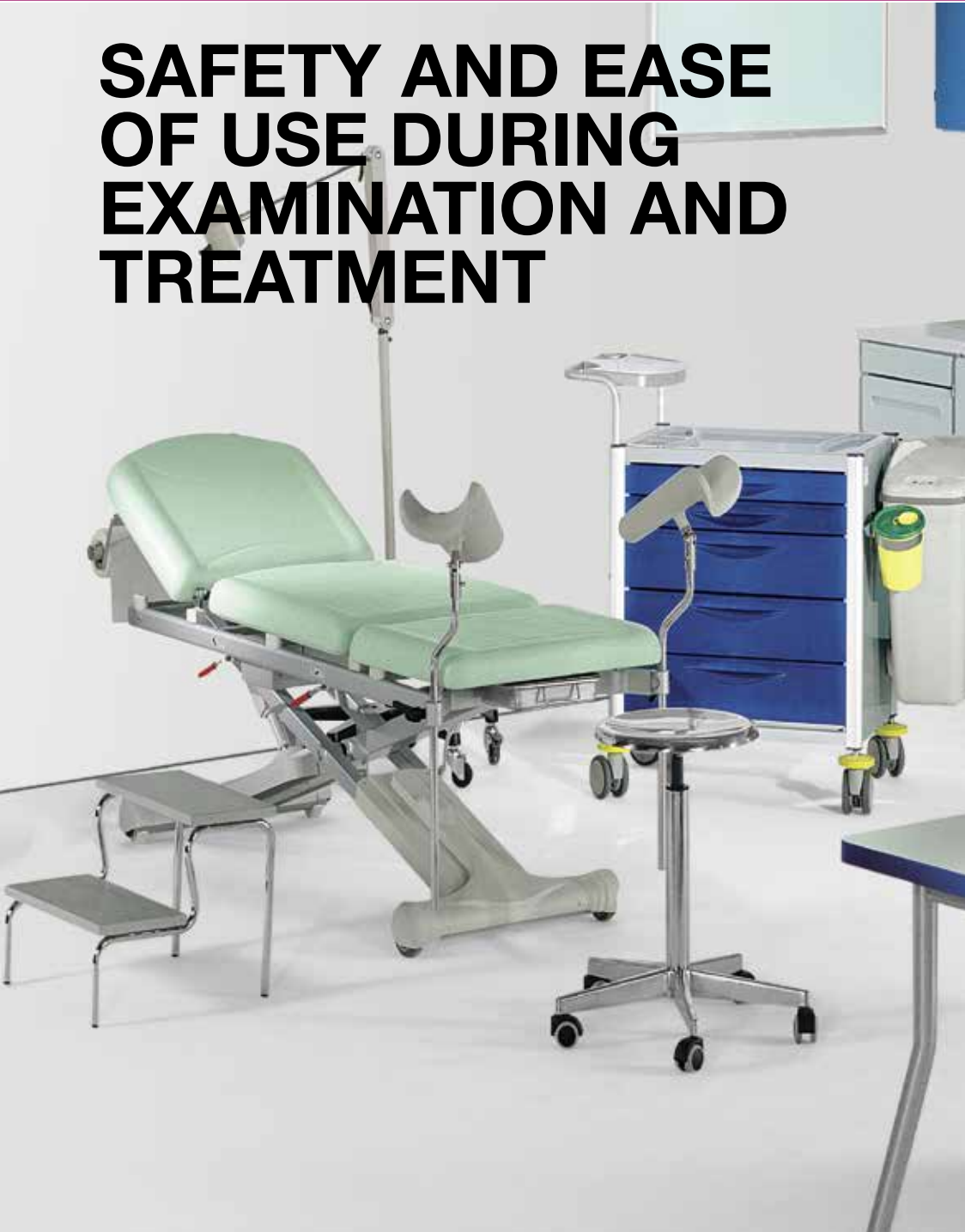
### SPECIALIST TREATMENT CHAIRS

pg. 124

Adjustable and customizable seating designed to suit the patient, to maximize comfort and also make the work of the operator easier.

## TREATMENT TABLES

# SAFETY AND EASE OF USE DURING EXAMINATION AND TREATMENT



## RANGE OF TREATMENT TABLES

**FIXED HEIGHT**

Our treatment tables are designed to meet all types of requirements: the fixed height model with padded surface is both resistant and easy to use.

**MANUAL HEIGHT ADJUSTMENT**

Multiple mattress platform sizes and models with two or three sections to meet wide range of needs. A wide range of accessories completes the range making it practical and functional.

**ELECTRICALLY ADJUSTABLE HEIGHT**

Available in various colours and possibility of settings, this range minimises effort via an integrated electric movement system which assists doctors and operators during the performance of their duties.

## TREATMENT TABLES

## FIXED HEIGHT

## 9LV0005

**EXAMINATION TABLE WITH 1 FLEXIBLE SECTION, ART. 570**

Mid-frame and legs made from chrome-plated steel tube. Juncions in die cast light alloy. The surfaces are padded with fireproof polyurethane foam and covered with fireproof washable artificial leather, fireproof in class 1/IM. Adjustable backrest with semi-automatic friction lock made from chrome-plated steel bar.

**Size: 178 x 62 x 75 cm**  
Available in black.

## 9LV0010

**3-SECTION EXAMINATION TABLE, ART. 571**

Mid-frame and legs made from chrome-plated steel tube. Juncions in die cast light alloy. The surfaces are padded with fireproof polyurethane foam and covered with fireproof washable artificial leather, fireproof in class 1/IM. Adjustable backrest with semi-automatic friction lock made from chrome-plated steel bar.

**Size: 178 x 62 x 75 cm**  
Available in black.

## COMPLIANT WITH

Directive 93/42/EEC modified in compliance with directive 2007/47/EC  
Device classification: Class 1

## 9LV0030

**2-SECTION EXAMINATION TABLE**

Mid-frame and legs made from chrome-plated steel tube. Juncions in die cast light alloy. The surfaces are designed with ergonomic shapes and sizes and are padded with fireproof polyurethane foam and covered with fireproof washable artificial leather, fireproof in class 1/IM. Adjustable backrest with semi-automatic friction lock made from chrome-plated steel bar.

**Size: 180 x 62 x 75 cm**

## 9LV0031

**3-SECTION EXAMINATION TABLE**

Mid-frame and legs made from chrome-plated steel tube. Juncions in die cast light alloy. The surfaces are designed with ergonomic shapes and sizes and are padded with fireproof polyurethane foam and covered with fireproof washable artificial leather, fireproof in class 1/IM. Adjustable backrest with semi-automatic friction lock made from chrome-plated steel bar.

**Size: 180 x 62 x 75 cm**

## 9LV0015

**GYNAECOLOGY EXAMINATION TABLE ART. 572**

Mid-frame and legs made from chrome-plated steel tube. Juncions in die cast light alloy. The surfaces are padded with fireproof polyurethane foam and covered with fireproof washable artificial leather, fireproof in class 1/IM. Adjustable backrest and leg section with semi-automatic friction lock made from chrome-plated steel bar. Sliding stainless steel removable bowl.

**Size: 178 x 62 x 75 cm**  
Available in black.

## 9LV0021

**TREATMENT/CARDIOLOGY TABLE**

Made in varnished birch with two sections. Removable straight legs. Adjustable headrest with locking hinges and breathing holes. Padded surface made from washable artificial leather.

**Size: 190 x 64 x 78 cm**  
Available in green, blue, yellow, grey, beige, orange and burgundy.

## 9LV0032

**3-SECTION GYNAECOLOGY EXAMINATION TABLE**

Mid-frame and legs made from chrome-plated steel tube. Juncions in die cast light alloy. The surfaces are designed with ergonomic shapes and padded with fireproof polyurethane foam covered with fireproof washable artificial leather, fireproof in class 1/IM. Adjustable backrest with semi-automatic friction lock made from chrome-plated steel bar. Sliding stainless steel removable bowl.

**Size: 180 x 62 x 75 h cm**

## COLOUR RANGE



Green 1843



Yellow 78



Grey 5959

## ACCESSORIES



**9LV9005**  
Roll holder for examination tables



**9LV9007** Roll holder for gynaecology examination tables



**9LS9111**  
Thigh support made from thermoformed

**9LS9110**  
Thigh support made from soft moulded polyurethane



# TREATMENT TABLES

## MECHANICALLY ADJUSTABLE

### FIRST

A COMPLETE RANGE OF TABLES FOR DOCTORS AND NURSES AVAILABLE WITH TWO OR THREE SECTIONS AND IN A VARIETY OF SURFACE SIZES



Backrest and leg section sections are adjusted manually and have soft padding with raised edges



## ELECTRICALLY ADJUSTABLE HEIGHT

### FIRST PLUS

MODELS IN THE FIRST PLUS RANGE PROVIDE ELECTRIC ADJUSTMENT OF THE SECTIONS AND MATTRESS PLATFORM HEIGHT



Backrest and pelvic sections with electric adjustment and soft padding with raised edges. The movement of the leg section is synchronized with the pelvic section





# TREATMENT TABLES

## FIRST – TECHNICAL SPECIFICATIONS

### COLOUR RANGE



### FIRST MODELS - HYDRAULIC HEIGHT ADJUSTMENT

	SIZE OF PADDED SURFACE	BACKREST	LEG SECTION	SYNCHRO (backrest + pelvic + leg)
9LV1126	1970x650 cm			
9LV1136	1970x650 cm			
9LV1127	1970x720 cm			
9LV1137	1970x720 cm			

### FIRST MODELS PLUS - ELECTRIC HEIGHT ADJUSTMENT

	SIZE OF PADDED SURFACE	BACKREST	LEG SECTION	SYNCHRO (backrest + pelvic + leg)
9LV1526	1970x650 cm			
9LV1536	1970x650 cm			
9LV1527	1970x720 cm			
9LV1537	1970x720 cm			
9LV1529	1970x1000 cm			

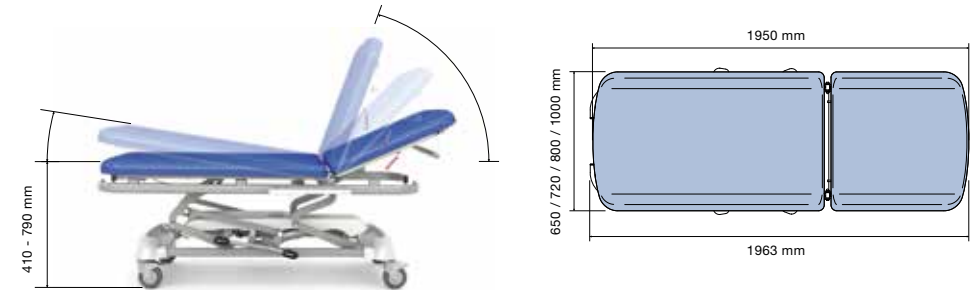
### COMPLIANT WITH

Directive 93/42/EEC modified in compliance with directive 2007/47/EC  
Device classification: Class 1

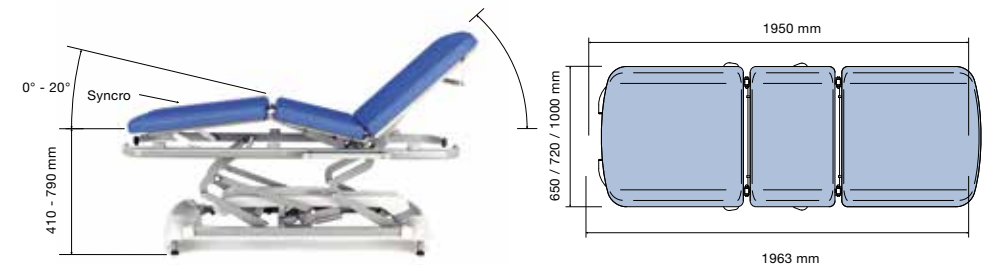
### APPLIED STANDARD

IEC EN 60601-1

### FIRST - SIZE



### FIRST PLUS - SIZE



### TECHNICAL DATA

Height from floor of padded surface	450 mm - 800 mm
Weight of table (without accessories)	+/- 80 kg
Safe working load	250 kg
Trendelenburg position	max 16°±0,5
Reverse Trendelenburg position	max 7°±0,5

### ACCESSORIES

- 9LV9110 Pair of accessory supports (bars)
- 9LV9120 Roll holder for 650 mm width paper
- 9LV9121 Roll holder for 720 mm width paper
- 9LV9103 Backup battery
- 9LV9130 Siderails

# TREATMENT TABLES

## ELECTRIC HEIGHT ADJUSTMENT

### 9LV0040

EXAMINATION TABLE WITH 2 SECTIONS, ELECTRICALLY ADJUSTABLE HEIGHT AND FRAME MADE FROM COATED STEEL



100 mm castors at foot end for easy movement

Rests on two white nylon feet at head end for increased stability

Class 11M fireproof materials

#### SIZE

178 x 62 cm

Adjustable height 52-80 cm

#### COLOUR RANG



Green 1843

Yellow 78

Grey 5959



**9LV9005**  
Roll holder for examination tables

#### COMPLIANT WITH

Directive 93/42/EEC modified in compliance with directive 2007/47/EC  
Device classification: Class 1

### 9LV0041

GYNAECOLOGY EXAMINATION TABLE WITH ELECTRICALLY ADJUSTABLE HEIGHT AND FRAME MADE FROM COATED STEEL



100 mm castors at foot end for easy movement

Rests on two white nylon feet at head end for increased stability

Class 11M fireproof materials

#### SIZE

178 x 62 cm

Adjustable height 52-80 cm

#### COLOUR RANGE



Green 1843

Yellow 78

Grey 5959



**9LS9111**  
Thigh support in thermoformed plastic

**9LS9110**  
Thigh support in moulded soft polyurethane



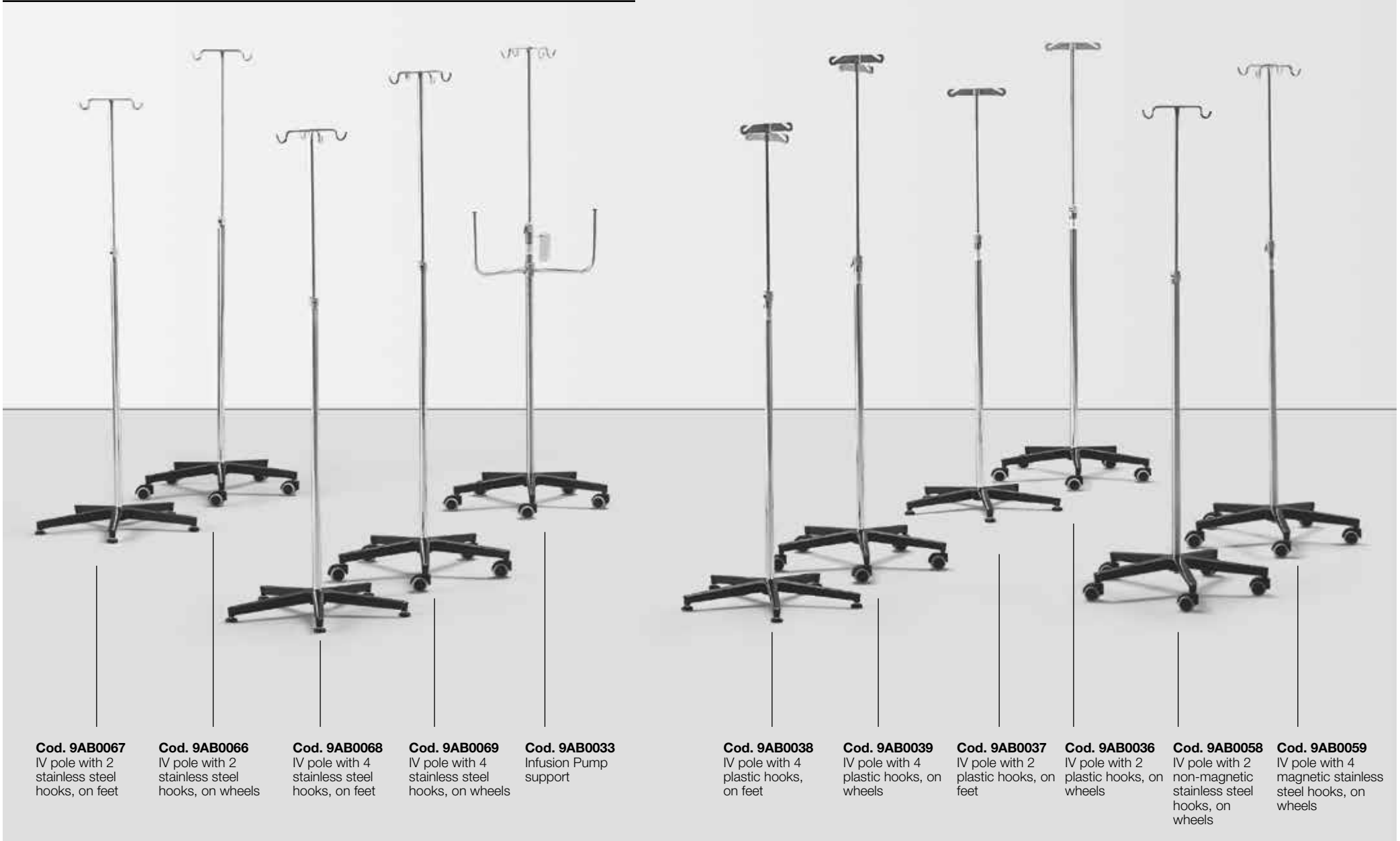
**9LV9005**  
Roll holder for examination tables

ACCESSORIES



# FURNISHINGS

## IV STANDS



**Cod. 9AB0067**  
IV pole with 2 stainless steel hooks, on feet

**Cod. 9AB0066**  
IV pole with 2 stainless steel hooks, on wheels

**Cod. 9AB0068**  
IV pole with 4 stainless steel hooks, on feet

**Cod. 9AB0069**  
IV pole with 4 stainless steel hooks, on wheels

**Cod. 9AB0033**  
Infusion Pump support

**Cod. 9AB0038**  
IV pole with 4 plastic hooks, on feet

**Cod. 9AB0039**  
IV pole with 4 plastic hooks, on wheels

**Cod. 9AB0037**  
IV pole with 2 plastic hooks, on feet

**Cod. 9AB0036**  
IV pole with 2 plastic hooks, on wheels

**Cod. 9AB0058**  
IV pole with 2 non-magnetic stainless steel hooks, on wheels

**Cod. 9AB0059**  
IV pole with 4 magnetic stainless steel hooks, on wheels

# MEDICINE CABINETS



Solution with doors in MDF covered with a plastic film  
**Dimensions 92 x 670 x 2050 cm**

**XE 5864**  
 Cabinet with doors in MDF covered with PVC with 60 medicine containers



**9AM9015**  
 Metal drugs cabinet with digital closure equipped with backlit LCD screen

**MSB - MSA**  
 Drugs cabinet in bilaminated (MSB) or steel (MSA) with fold-down door, burglar-proof lock and internal shelf

Component in bilaminated plastic 20 mm thick adjustable on metal rack

# DESKS

A COMPLETE RANGE IN DIFFERENT SIZES



Fireproof surface in bonded wood (thickness 28 mm) covered in plastic laminate thickness 0.9 mm, aquamarine colour

Legs in steel with aluminium colour and adjustable feet with 60 cm twin castors

Edging in ABS 3 mm thick in blue with rounded corners

## DIMENSIONS

<b>9SC0043</b> 160x80x75 cm	<b>9SC0041</b> 120x80x75 cm	<b>9SC0047</b> Drawer
<b>9SC0042</b> 140x80x75 cm	<b>9SC0040</b> 80x80x75 cm	

# ROOM DIVIDERS



**9AB1016**  
 Extendible room divider with wheels

**9AB1015**  
 Wall-mounted extendible room divider

**9AB1013**  
 Room divider with wheels or feet



ACCESSORIES

OPERATING THEATRE ACCESSORIES



**9CI0107**  
Instrument trolley w/two shelves  
1300 x 650 x 900 mm



**9CI0106**  
Instrument trolley w/one shelf  
1300 x 650 x 900 mm



**9CI0116**  
Surgical instrument trolley  
1200 x 650 x 900/1250 mm



**9CI0115**  
Tunnel serving table  
900 x 580x 980/1400 mm



**9CI0109**  
Hydraulic cart  
650 x 450 x 900/1300 mm



**9CI0151**  
Rectangular cart  
660 x 400 x 780 mm



**9CI0150**  
Square table  
400 x 400 x 780 mm



**9CI0120**  
Instrument table w/two shelves  
750 x 520 x 780 mm



**9CI0122**  
Instrument table w/two shelves  
920 x 580 x 780 mm



Step stool for operating theatre use  
**9AO0020** 600x350x300 mm  
**9AO0019** 600x350x220 mm  
**9AO0018** 600x350x130 mm  
**9AO0021** double  
600x350x440 mm



**9SO0005**  
Stool for operator

**9SO0006**  
Spring stool for operator

**9SO0007**  
Stool for operator with screw height adjustment



**9AO9000**  
Shelf in AISI 304 stainless steel sheet  
600x350x250 mm

**9AO9001**  
Basket in AISI 304 stainless steel wire  
580x270x150 mm

**9AO9002**  
Basket in AISI 304 stainless steel wire  
580x270x250 mm



**9AO0300**  
Pair of AISI stainless steel wall-mounted basket holder bars  
304 mm 1400 h



**9AO0150**  
Basket trolley  
560x420x1450 mm



**9CL0032**  
Clog rack  
1000x650x1650 mm



**9CL0031**  
Wall-mounted clog rack  
1000x320x1300 mm

WARD

PAEDIATRICS

CONSULTING ROOMS & CLINICS

TECHNICAL WALL SOLUTIONS

CARTS

STRETCHERS

COMPLEMENTARY FURNITURE

HEALTHCARE FACILITIES

## SPECIALIST CHAIRS

# FUNCTIONALITY AND COMFORT FOR DOCTOR AND PATIENT

## SPECIALIST CHAIR RANGE

**GYNAECOLOGICAL**

Chair with padded upholstery which is easy to clean, electrically operated, fully adjustable and available with a vast range of accessories.

**THERAPY**

A range which combines flexibility, accessibility and safety, to guarantee maximum comfort to the patient and facilitate treatment for those providing care.

**SAMPLES**

The Memory sample range has been designed for the provision of therapy or to carry out the taking of blood samples thanks to the special arm rests.

**PODIATRY**

Electric movement and leg rests consisting of independent leg supports to ensure maximum flexibility, enabling the doctor to adopt the most comfortable working position.

**EAR NOSE AND THROAT**

Chair designed to facilitate examination thanks to synchronised electric adjustment and adjustable height and inclination, range of accessories available and can be adapted to varying requirements.

**OPERATOR STOOL**

Shapes designed to enable the user to work with correct posture by distributing weight onto the legs and not on the back.

## SPECIALIST CHAIRS

### GYNAECOLOGICAL

# SERENITY CARE 200

DESIGNED TO ENSURE MAXIMUM PATIENT COMFORT, PRECISION OF POSITIONING OF LIMBS AND CONTROL OF EVERY MOVEMENT



Stainless steel container to collect materials/ liquids as standard



9TD9108 Instrument shelf



9TD9109 Support for colposcope



In case of emergency, e.g. if the patient loses consciousness, the chair can be brought rapidly and safely into the **Trendelenburg position** with a single touch of the foot pedals. The chair can also be set flat so as to function as an examination couch as well as for other purposes.



9TD9105



9TD9104

**9TD9105 Leg separator with foot supports:** Supports for legs/feet guarantee access to chair without physical effort and at the same time guarantee a relaxed position and enhanced comfort, which is particularly useful in cases where patients have mobility problems. Alternatively, the moulded, adjustable **traditional supports** are available: **9TD9104.**

#### TECHNICAL DATA

Footprint (in seated position)	900x956x1220 mm
Seat height adjustment	from 550 mm to 950 mm
Backrest inclination	from -15° to + 72°
Seat inclination	from +15°
Trendelenburg	15°
Weight	160 kg (about) may vary based on configuration
Safe Working Load	200 kg

#### ACCESSORIES

- 9TD9103 Legrest for bed functions
- 9TD9104 Traditional stirrup legrests
- 9TD9105 Legrests with foot supports
- 9TD9106 Quick release for lowering backrest
- 9TD9108 Instrument support shelf
- 9TD9109 Support for colposcope

#### COMPLIANT WITH

Directive 93/42/EEC modified in compliance with directive 2007/47/EC  
Device classification: Class 1

#### STANDARD APPLIED

IEC EN 60601-1

## SPECIALIST CHAIRS

## THERAPY

## CAREPY 200

CAREPY 200 IS A CHAIR WITH ELECTRIC MOVEMENT DESIGNED TO BE USED IN CLINICS, ONCOLOGY DAY-HOSPITALS AND BLOOD SAMPLING DEPARTMENTS



9LS0322



CAREPY is equipped with the innovative **Exit and Entrance** functions. These functions **assist the patient while they are getting onto and off of the chair**. Thanks to motorised movement, the operator can support the feet of a patient with mobility problems without excessive strain on the back. **The chair can be accessed laterally by lowering the armrests**. It is possible to choose from a range of different armrests.



The padding is produced with a support which offers a high degree of cradling together with a support in viscoelastic material. It is entirely upholstered using a **washable, breathable** fabric and developed in a way which reduces the risk of cross-infection. **All sections can be removed** in order that all parts of the unit can be thoroughly washed, including hidden parts.

The chair can be adjusted so that it is **completely horizontal** in order that it can be used as an examination bed or for small clinical procedures. **The doctor adjusts the height to reach the most comfortable and ergonomic position**, thus reducing the load on the spine.

## TECHNICAL DATA

Footprint (in seated position)	750x900x1300 mm
Seat height adjustment	from 525 mm to 870 mm
Backrest inclination from seat	from 7° to 80°
Footrest inclination from seat	from 10° to 90°
Trendelenburg	14°
Weight	115 kg (circa: may vary based on configuration)
Safe Working Load	kg 165

## ACCESSORIES

<b>9TD9106</b>	Quick release
<b>9LS9121-9123</b>	IV pole with two hooks in plastic or stainless steel
<b>9LS9122-9124</b>	IV pole with four hooks in plastic or stainless steel plus
<b>9LS9260</b>	Armrest plus
<b>9LS9261</b>	Armrest basic
<b>9LS9270</b>	Standard accessories bar
<b>9LS9283</b>	Bilateral accessories support bar
<b>9LS9284</b>	Lateral accessories support bar
<b>9LS9285</b>	Syringe shelf
<b>9LS9300</b>	Patient control panel
<b>9BR9385</b>	Armrest

## COMPLIANT WITH

Directive 93/42/EEC modified in compliance with directive 2007/47/EC  
Device classification: Class 1

## STANDARD APPLIED

IEC EN 60601-1



# SPECIALIST CHAIRS

## BLOOD SAMPLES

# MEMORY

THE RANGE OF SPECIAL ACCESSORIES AVAILABLE MAKE THE MEMORY AN EXCELLENT CHAIR FOR THE ADMINISTERING OF THERAPIES OF FOR THE TAKING OF BLOOD SAMPLES IN TRANSFUSION CENTRES OR IN OTHER DEPARTMENTS

Movement of the backrest and legrest help in transferring the patient from the bed to a sitting position which provides the benefits of early mobilisation



The height of the armrest can be adjusted to predetermined positions, with a button situated on the front of the armrest





The easy-to-use lever situated on the side enables even the patient to adjust the back and legrests themselves.



**9SP5231**

**9SP91080**  
Footrest

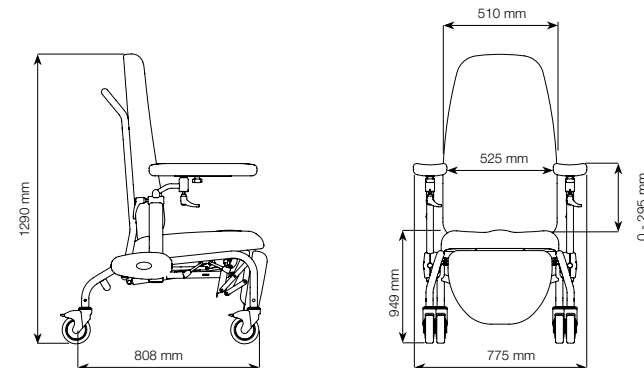
### COLOUR RANGE



Cream 4    Orange 9    Olive 15    Sky 23    Sea 24

### COMPLIANCE

Directive 93/42/ECC modified in accordance with Directive 2007/47/EC - Device classification: Class 1



### TECHNICAL SPECIFICATIONS

Medical device class	I
Footprint	808 x 685 x 1290 mm
Chair weight (without accessories)	27 kg
Safe working load (swl)	150 kg

### WITH 4 FEET

	9SP5210	9SP5310	9SP5220	9SP5320	9SP5230	9SP5330
Adjustable backrest	●	●			●	●
Adjustable legrest					●	●
Synchronised back- and legrest adjustment			●	●		
Export armrest system	●		●		●	
Sistema di poggia braccio Plus		●		●		●

### 4 RUOTE DA Ø 125 MM

	9SP5211	9SP5311	9SP5221	9SP5321	9SP5231	9SP5331
Schienale regolabile	●	●			●	●
Poggia gambe regolabile					●	●
Movimento sincronizzato schienale e poggia gambe			●	●		
Sistema di poggia braccio Export		●	●		●	
Plus armrest system				●		●

### ACCESSORIES

**9SP9105** IV stand with two plastic hooks

**9SP9111** Tissue holder 50 cm

**9SP9165** Headrest

**9SP9170** Bag holder

**9SP9175** Table

**9SP9180** Footrest

**9SP9185** Syringe holder



PODIATRY

# LINDA3 PODO

A CHAIR FOR THE TREATMENT OF FEET WITH MOTORISED ADJUSTMENT AND FULL LEGREST SECTION



9TD0007



**9TD9082**  
Armrest Tray instrument holder with basin (optional)



**9TD9083**

Magnetic legrest cushion (optional)



**9TD9080**  
Stainless steel basin with holder (optional)

# LINDA3 PODObis

CHAIR FOR THE TREATMENT OF FEET WITH ELECTRIC ADJUSTMENT AND TWO INDEPENDENT LEGRESTS GIVING THE DOCTOR A FULL RANGE OF MOVEMENT OF THE FOOT



9TD0008



**9TD9076**  
Base with rotation (accessory).  
Rotation lock footswitch for Linda3 PODObis



**9TD9070 Remote footswitch:**  
Footswitch controls for electric adjustment (zero + 3 user- definable programs)



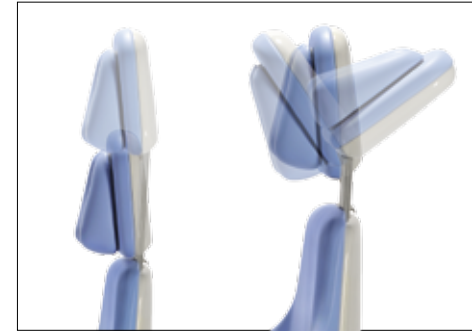
Basic ON/OFF footswitch

SPECIALIST CHAIRS

EAR NOSE AND THROAT

LINDA3 ORL

FULLY MOTORISED ADJUSTMENT FOR HEIGHT, VARIATION OF BACKREST ANGLE AND REVOLVING BASE



**9TD9072**  
Variation of height and angle of articulated headrest type ELLE MOBILE



**9TD9074**  
Magnetic headrest cushion C2002



**9TD9072**  
Locking/unlocking pedal for rotation of 345°



**9TD9070**  
Footswitch for motorized adjustment and to adjust to memorised positions (zero + 3 user-definable programs)

TECHNICAL DATA

Max height	840 mm
Min height	510 mm
Width	660 mm
Rotation angle	345°
Length (with headrest fully extended)	1900 mm
Max liftable weight	135 + 75

COMPLIANT WITH STANDARD APPLIED

Directive 93/42/EEC modified in compliance with directive 2007/47/EC Device classification: Class 1	IEC EN 60601-1
--	----------------

WARD

PAEDIATRICS

CONSULTING ROOMS & CLINICS

TECHNICAL WALL SOLUTIONS

CARTS

STRETCHERS

COMPLEMENTARY FURNITURE

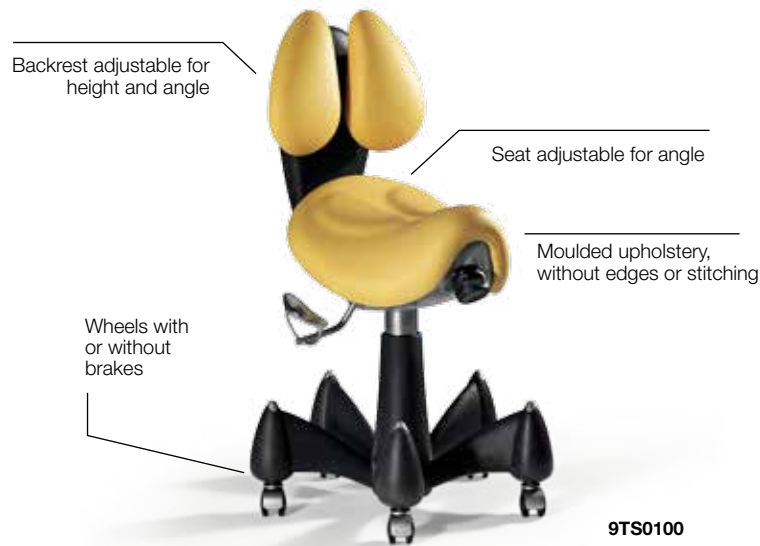
HEALTHCARE FACILITIES

# OPERATOR STOOLS

## GEL RANGE MODELS

# PLUTO

**SADDLE-SHAPED SEAT HELPS THE USER TO WORK WITH CORRECT POSTURE, UNLOADING THE WEIGHT OF THE BODY ONTO THE LEGS INSTEAD OF THE BACK**



The chairs in the Gel range have been designed to improve the comfort of the user thanks to the Technogel® gel. This is an elastomer containing no plastifiers or other volatile substances, and thus innocuous from a toxicology point of view, which is neither a solid

nor a liquid, but possesses a memory property - in that it returns to its original shape - to allow ideal weight distribution which in turn reduces pressure points, avoids crushing, and improves blood circulation. **The Pluto is compliant with Medical Directive 93/42/CEE and Law 626**

### TECHNICAL DATA

Min height	480 mm
Max height	680 mm
Backrest inclination	24°
Seat inclination	12°
External base diameter	585 mm
Weight	36 kg

### COMPLIANT WIT

Directive 93/42/EEC modified in compliance with directive 2007/47/EC - Device classification: Class 1

## GEL RANGE MODELS

**PLUTOLE**  
9TS0101



**VENUS**  
9TS0102+9TS9105









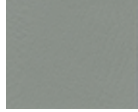






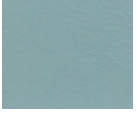





**STINGST**  
9TS0050



**EGGF**  
9TS0001



### COLOUR RANGE

 <b>1007</b> Black	 <b>5003</b> Night blue	 <b>1414</b> Red	 <b>5511</b> Leaf green	 <b>4003</b> Violet
 <b>7502</b> Charcoal	 <b>1009 D</b> Electric blue	 <b>7791</b> Salmon	 <b>1009 B</b> Light green	 <b>5510</b> Purple
 <b>1011</b> Light grey	 <b>5023</b> Sugar paper	 <b>5503</b> Sapphire	 <b>3493</b> Aquamarine	 <b>3492</b> Cyclamen
 <b>3494</b> Silk grey	 <b>12275</b> Blue-grey	 <b>0002</b> Mustard	 <b>12271</b> Grey-green	 <b>12274</b> Grey-purple
 <b>9002</b> White	 <b>3491</b> Periwinkle blue	 <b>1300</b> Zinc yellow	 <b>5515</b> Apple-green	 <b>12272</b> Grey-pink

# TECHNICAL WALL SOLUTIONS

## OUR RANGE OF FLEXIBLE FURNISHING SYSTEMS



The flexibility of configuration and dimensions, the large range of internal accessories and the quality of the materials used are just a few of the features of the technical wall units in the Favero Health Project range.

Systems equipped and sized according to the space and intended use, in order to guarantee the largest number of **combinations** possible whatever the furnishing need.

## TECHNICAL WALL UNIT



### ALIEN

pg. 134

Alien is a new technical wall unit: the technology and innovation in this product make it unique in its genre.



### ZEROFIRE

pg. 142

A modular, flexible range of technical wall units, with frame and base in aluminium, resistant and easy to clean. Zerofire can be adapted to any environment thanks to the perfect compatibility with other ranges produced by Favero.



### PRAXIS

pg. 156

The use of innovative materials has made this line even more resistant and lightweight. A range of accessories are available and there is a full range of colours. Height can be added with top units thus optimizing space management.



### BANCONI DI CONTROLLO E MONITORAGGIO

pg. 166

Technical solutions for every operating problem in therapy, reception and acceptance areas.

# ALIEN

## THE INNOVATIVE MODULAR WALL UNIT



WARD

PAEDIATRICS

CONSULTING  
ROOMS & CLINICS

TECHNICAL WALL  
SOLUTIONS

CARTS

STRETCHERS

COMPLEMENTARY  
FURNITURE

HEALTHCARE  
FACILITIES



# ALIEN

## MAIN FEATURES



# ROBUST, EASY TO CLEAN AND FIRE-RESISTANT

The innovative Alien wall units are the latest range from Favero Health Projects. They are constructed using the highest performing materials: **aluminium and DuPont™ Corian®** combine to make the product easy to sanitize and guarantee ease of infection management,

key features in the healthcare environment. **The doors are made entirely of DuPont™ Corian™**, including handles, while **the frame is a container created from a sheet of folded and lacquered aluminium.**



The glass is available in clear or opaque satin

Possibility to equip units internally with removable ISO 3394 trays

Base plinth in steel (also available with feet or castors)

Doors and fronts in DuPont™ Corian® 12 mm thick with 4mm thick clear glass

Frame in folded and lacquered aluminium

Handles in Corian integrated into the door structure

ALIEN

DuPont™  
**CORIAN®**

The material selected for the doors in the XC range is a widely-used material in hospital furniture.

**Made of natural minerals and advanced acrylics, DuPont™ Corian® meets the most stringent sanitary needs,** is ideally suited for the fight against hospital-acquired infection and provides a guarantee of hygiene. In addition, patient as well as operator wellbeing is enhanced by the wide combination of colours and shapes that are available as well as ease of cleaning. The material is easy to heat mould,

durable, recyclable and enables sharp edges to be completely eliminated. The material is inert, hypoallergenic, non toxic and it possesses intrinsic fireproofing properties. As a testimony to how widely-used and reliable the product is, **it complies with the standards and requirements** of the food industry. The surfaces do not allow mould and bacteria to grow, the material has been certified by an independent laboratory as a hygienic material which complies with international standard **DIN EN ISO 84.**

Alien technical wall units can be equipped **to meet any sanitary material stocking requirements,** and can be adapted to any available space. The internal space can be divided by using ISO 60x40 trays, which

integrate perfectly with the wall modules and allow further internal subdivision by means of the insertion of a range of internal dividers.



**Flexibility, loading capacity, simplicity of use of the sides** with ABS guides, with simple wire integrated in the tray or telescopic guides which **enable the load capacity to be increased,** thus assisting with the management of heavier articles such as liquid containers.

WARD

PAEDIATRICS

CONSULTING  
ROOMS & CLINICS

TECHNICAL WALL  
SOLUTIONS

CARTS

STRETCHERS

COMPLEMENTARY  
FURNITURE

HEALTHCARE  
FACILITIES

# ALIEN



Doors and fronts in DuPont™ Corian® 12 mm thick with clear glass 4mm thick

Frame in folded and lacquered aluminium

Base of plinth in steel (also available with feet or castors)

Possibility to equip the internal space of the units with removable ISO 3394 trays

Glass available in clear or opaque satin

Corian handles integrated into the structure of the door



# ALIEN

## FEATURES



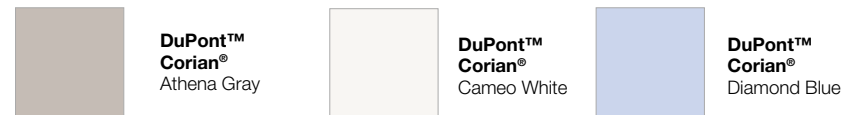
The handles are **shaped from a sheet of DuPont™ Corian® and heat moulded** and integrated into the door structure to become a single unit, thus avoiding dangerous joints and making it easier to clean them. The elegant design of the handle is further enhanced by possibility to select from a **range of special colourings** which differentiate it from the other colour schemes selected for the door.



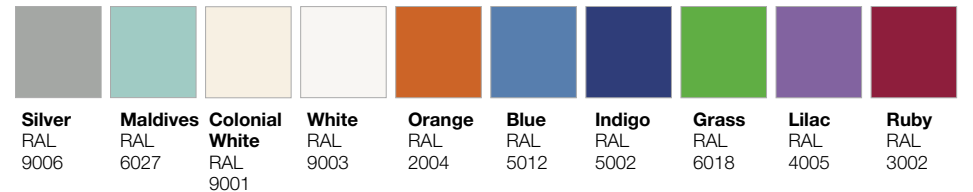
The hinges have been designed by Favero Health Projects technical office and are **in aluminium alloy, allow 270° range of movement** and can be adjusted along three axes. The hinges are fitted with a mechanism which ensure the perfect closure of the doors.



### COLOUR RANGE FOR DOORS AND FRONTS



### DRAWER FRONTS



ZEROFIRE

# THE MODULAR SYSTEM IDEAL FOR HEALTHCARE ENVIRONMENTS



With just one action the shutter can be removed after moving it to the end of its track; it can be extracted by pulling it at right angles to the track guide.



Thanks to the properties of the construction material, its extraordinary manageability and accessibility, and the rounded anti-shock surfaces all the components in the Zerofire® range meet the disinfection and cleaning needs of healthcare and hospital environments.



The sides are fitted with a patented bayonet system to allow components to be removed with one simple movement.



The frame remains completely accessible

DEGENZA

PEDIATRIA

AMBULATORI & SPECIALISTICA

PARETI TECNICHE

CARRELLI

BARELLE

COMPLEMENTI DI ARREDO

RESIDENZE SANITARIE



# ZEROFIRE

## MAIN FEATURES

# LOGISTICS SYSTEM

Zerofire® is the result of extensive technological innovation and research in the field of materials and functionality.

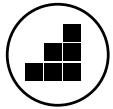
The units, **constructed entirely from press-formed aluminium, guarantee excellent**

**manoeuvrability and make them extremely easy to disinfect**, as well as being more sophisticated from an aesthetic as well as design perspective.



# ZEROFIRE

## MAIN FEATURES



# MODULAR SYSTEM

Zerofire® is **modular, flexible, non-magnetic, and constructed from class 0 fireproof material**. The Zerofire® units are constructed from aluminium frames, and are therefore fireproof and ideal for storing, managing and transporting healthcare equipment. Thanks to the **ease with which they can be disinfected**, they are ideal for sterile environments, such as hospital departments, operating theatres, wards, clinics, pharmacies and stores. The extreme ease of use provided by the high degree of modularity of the components,

combined with the durability of the construction materials, all of which are rigorously fireproof, all go to make Zerofire® a **state-of-the-art system** which is unique on the international market. The Zerofire® modules can be positioned on castors or feet, or plinths in stainless steel, or wall-mounted. They can therefore be constructed in trolleys of differing heights, worktops both fixed and mobile, counters, tall cabinets, splashbacks and wall-mounted (for wall compositions).



# ZEROFIRE

## MAIN FEATURES

### NON-MAGNETIC



The Zerofire® range contains products which can be **perfectly adapted to be used in Magnetic Resonance** Imaging Units, thanks to the total and guaranteed absence of magnetic materials which might cause interference with the equipment.

### LIGHT AND MANOEUVRABLE



A fundamental feature of the Zerofire® trolleys is their **excellent manoeuvrability**. The functional 125mm twin-wheel castors fitted to all trolleys make them easy to move, while the properties of the construction materials used guarantee **unparalleled lightness** whatever the configuration of the product.

## MAIN FEATURES

### NON-COMBUSTIBLE



The combustibility of the materials used in the construction of the modules, including internal components is zero, thanks to **the use of aluminium for the construction of all the main elements**. In addition to being **non-combustible** and **extremely light**, aluminium is **resistant to impacts and recyclable**, and guarantees stability over time and rust resistance.

### IMMERSION WASHABLE



Cleanliness and hygiene are fundamental in healthcare environments. For this reason the materials and construction of all Zerofire® products are designed to be **completely hand- and machine- washable, even at high temperatures**. The body is constructed from 2mm thick press-formed aluminium sheets and given a special epoxy powder paint finish in a heat tunnel. The parts are welded together with impact-resistant safety rounded corners and without “overlapping” of edges or box-type reinforcements so as to eliminate any concealed pockets of dirt.



# ZEROFIRE

## WORKSTATION

### S.O.PHIA

#### 9ZERO1185

WORKSTATION S.O.PHIA (SITTING OPERATING PHILOSOPHIA) is a **workstation for use in healthcare** environments designed to be used by a seated operator, and equipped with a multifunctional drawer. The bridge unit can be fitted with accessories as desired by the client, with stainless steel bars onto which containers, shelving or instruments can be hung, thus enabling the structure to be completely customised to meet a wide range of needs.

The heights of the bars are fully adjustable (from 1 to 3 levels) and the **worktop is in Dupont™ Corian®**, which is fireproof and can be disinfected thoroughly.



### MED.E.A.

#### 9ZERO1166

WORKSTATION MED.E.A (MEDICAL EXAMINATION APPARATUS) is a **workstation for use in healthcare** environments equipped with containers with exceptional storage capacity, which makes it particularly suitable for the storing and management of a range of medicines and equipment.

The bridge unit can be customized according to the needs of the client and can be equipped with a wide range of accessories.



### TECHN.A.

#### 9ZERO1191

WORKSTATION TECHN.A (TECHNOLOGICALLY ADVANCED) is a **workstation fitted with multifunctional drawers** and designed to be used with IT and other technical equipment within a hospital environment. The seating position is made more comfortable by the footrest in stainless steel, installed in the base unit in press-formed aluminium. The CPU holder can be installed vertically or horizontally. In order to provide maximum order and cleanliness a cable-stay grill can be installed on the rear of the workstation.



### ABC

#### 9ZERO1065

**ZEROFIRE® AIRWAYS TROLLEY** EQUIPPED FOR EMERGENCY ABC PROCEDURES.

The internationally-recognised ABC mnemonic is to remind first-aiders of the essential phases in the evaluation and treatment of a patient with life-threatening symptoms, identified by the initials of the key words: Airways, Breathing and Circulation.



# ZEROFIRE

## CARTS



**9ZERO1050**  
Tall cart



**9ZERO1060**  
Doublewide tall cart



**9ZERO1001** Base cabinet  
**9ZERO1002** Wall cabinet



**9ZERO1000**  
Wall-mounted column



**9ZERO1051**  
Medium cart



**9ZERO1061**  
Doublewide medium cart



**9ZERO1062**  
Doublewide low cart



**9ZERO1063**  
Triplewide low cart



# ZEROFIRE

## ACCESSORIES



**9ZERO9045**  
Pocket-holder grill

**9ZERO9046**  
Small catheter-holder pocket

**9ZERO9047**  
Large catheter-holder pocket



**9ZERO9070**  
Suture threads holder with 6 shelves



**9ZERO9040**  
Stainless steel shelf probe/catheter holder 6 bars 600x400 mm fixed



**9ZERO9051**  
Shelf with 4 hooks for endoscopes 600 x 400 mm



**9ZERO9020**  
Aluminium shelf 600 x 400 mm



**9ZERO9030**  
Shelf with mixed containers 100 mm high



**VP5 e VP5D**  
Plastic tray meeting ISO standards 60x40x5 cm



**VP10 e VP10D**  
Plastic tray meeting ISO standards 60x40x10 cm



**VP20 e VP20D**  
Plastic tray meeting ISO standards 60x40x20 cm

### COLOUR RANGE FOR DRAWER FRONTS



**Blue**  
RAL 5012



**Red**  
RAL 3020



**Bottle Green**  
RAL 6029



**Fir Green**  
RAL 6018



**Light Green**  
RAL 6027



**Aquamarine**  
317 C



**Orange**  
RAL 2004

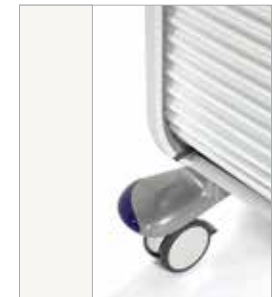


**Mandarin Orange**  
RAL 2011

### COLOUR FOR SHUTTER DOORS



**Silver**  
RAL 9006



**White**  
RAL 9003

### COLOUR RANGE DRAWER FRONTS



**Silver**  
RAL 9006

**Maldives**  
RAL 6027

**Colonial White**  
RAL 9001

**White**  
RAL 9003

**Orange**  
RAL 2004

**Blue**  
RAL 5012

**Indigo**  
RAL 5002

**Grass**  
RAL 6018

**Lilac**  
RAL 4005

**Ruby**  
RAL 3002

# THE MODULAR SYSTEM FOR HEALTHCARE ENVIRONMENTS



## PRAXIS RANGE



### XE

Solution with frame in bilaminate and doors in MDF



### XB

Solution with frame in bilaminate and moulded doors in Baydur



### XA

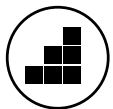
Solution with frame in AISI 304 stainless steel and doors in moulded Baydur



### XC

Solution with frame in bilaminate and doors in moulded DuPont™ Corian®

MAIN FEATURES

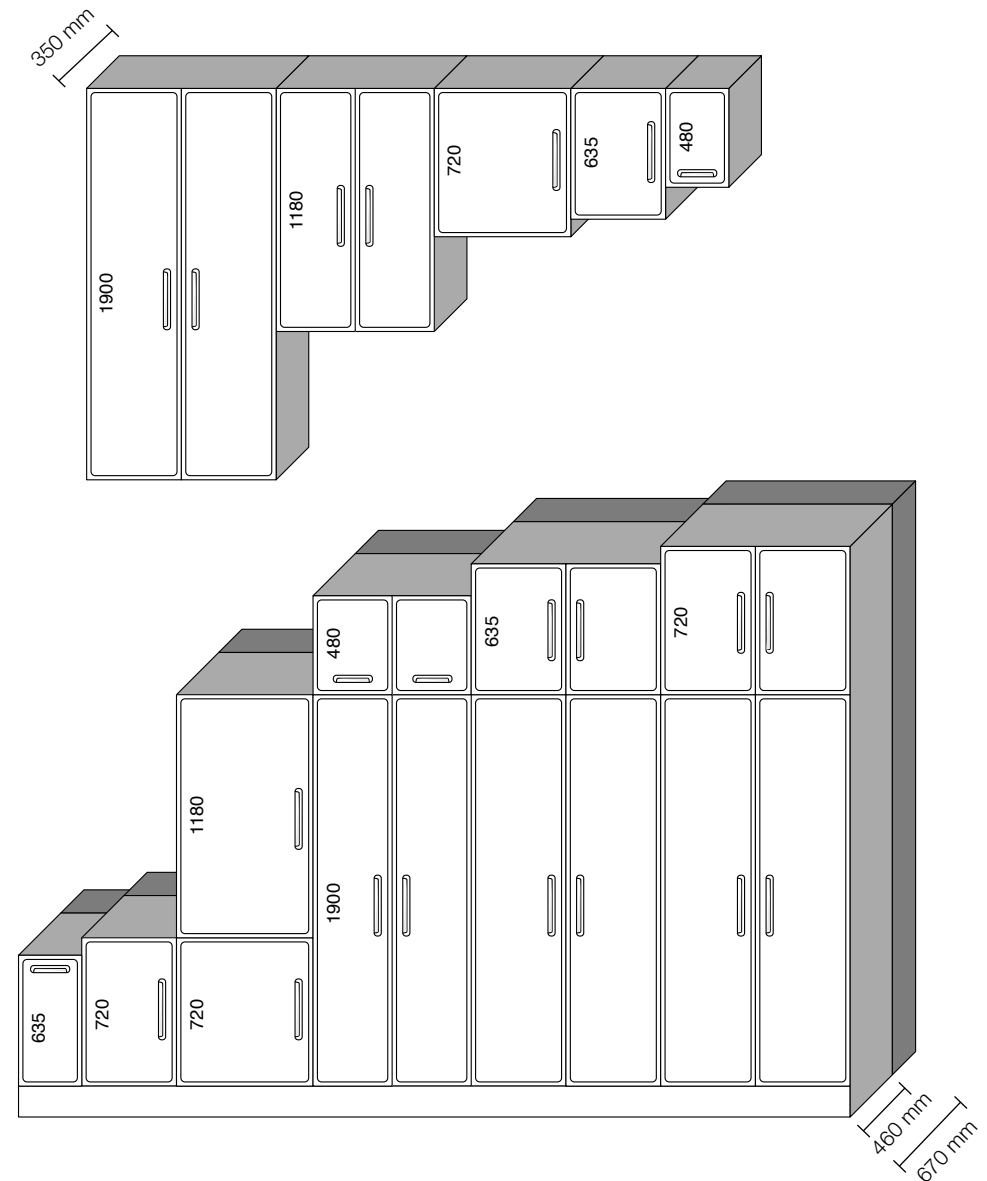


MODULARITY



Praxis is a technical modular system designed for use in healthcare environments. Compared to usual standards it contains a number of significant improvements regarding the materials.

All the Praxis system lends itself to the implementation of **perfectly logical organization** for the management of materials stock.



WARD

PAEDIATRICS

CONSULTING ROOMS & CLINICS

TECHNICAL WALL SOLUTIONS

CARTS

STRETCHERS

COMPLEMENTARY FURNITURE

HEALTHCARE FACILITIES



# PRAXIS

## MODEL

# XE

**SOLUTION WITH FRAME IN BILAMINATE AND DOORS IN MDF WITH EMMA HANDLES**

Emma is produced entirely in press-formed aluminium and press-fitted into the structure, thus avoiding edges and joints and guaranteeing ease of cleaning. Emma is painted with a very resistant enamel with added antibacterial properties



Door fronts in MDF covered with plastic material

Possibility to equip internal space of the units with removable trays meeting the ISO 3394 standard 60 x 40 in plastic

Frame in bilaminate with perimeter profile in dust-resistant plastic material

### DOOR COLOUR RANGE

<b>Aquamarine</b> BL 6136	<b>Green</b> 1000	<b>Blue</b> BL 6148	<b>Mocha</b> 15012-8443	<b>Orange</b> GL 3848	<b>Pumpkin</b> 24259
				<b>FRAME COLOUR RANGE</b>	
<b>Sand</b> AL 2159	<b>Yellow</b> 3918179	<b>Oak</b>	<b>Birch</b>	Bilaminate grey	



WARD

PAEDIATRICS

CONSULTING ROOMS & CLINICS

TECHNICAL WALL SOLUTIONS

CARTS

STRETCHERS

COMPLEMENTARY FURNITURE

HEALTHCARE FACILITIES

# PRAXIS

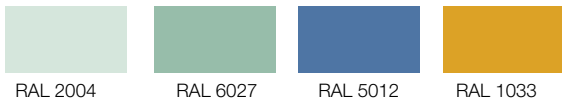
## MODEL

# XB

SOLUTION WITH FRAME IN BILAMINATE WITH EDGE PROFILE IN DUST-RESISTANT PLASTIC AND MOULDED DOORS IN BAYDUR TREATED WITH SCRATCHPROOF PAINT, WITH INTEGRATED HANDLES



### DOOR COLOUR RANGE



RAL 2004

RAL 6027

RAL 5012

RAL 1033

### FRAME COLOUR RANGE



Bilaminate grey

The full range of RAL colours are available on request



WARD

PAEDIATRICS

CONSULTING ROOMS & CLINICS

TECHNICAL WALL SOLUTIONS

CARTS

STRETCHERS

COMPLEMENTARY FURNITURE

HEALTHCARE FACILITIES



# PRAXIS

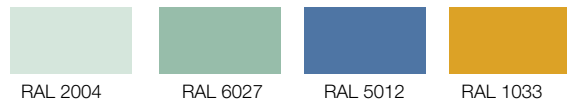
## MODEL

# XA

SOLUTION WITH FRAME IN STAINLESS STEEL WITH EDGE PROFILE IN DUST-RESISTANT PLASTIC AND DOORS IN MOULDED BAYDUR TREATED WITH SCRATCHPROOF PAINT, WITH INTEGRATED HANDLES



### DOOR COLOUR RANGE



RAL 2004 RAL 6027 RAL 5012 RAL 1033

The full range of RAL colours are available on request

### FRAME COLOUR RANGE

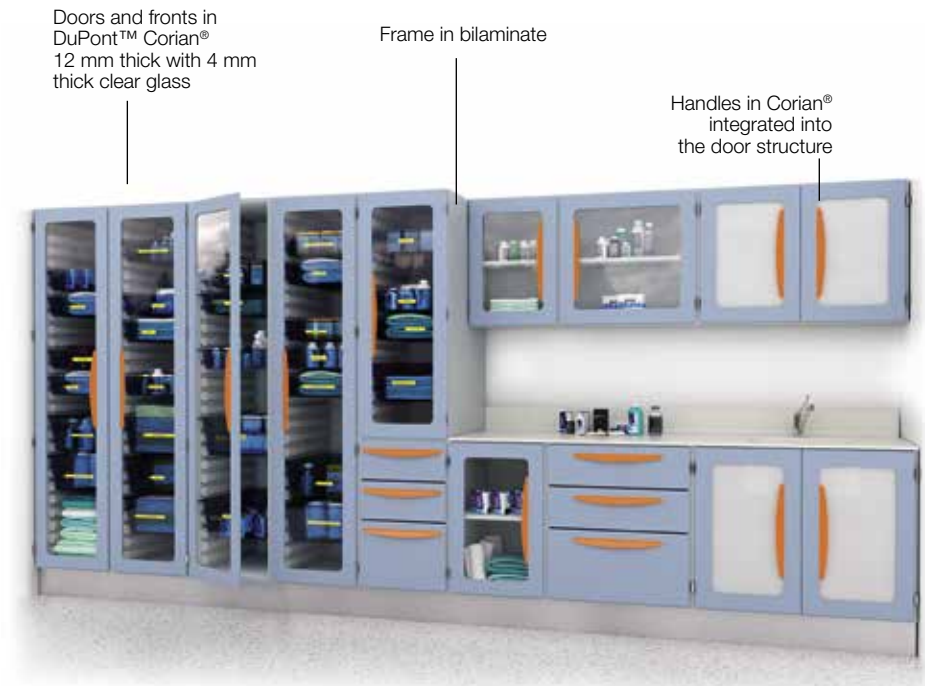


Stainless steel

## MODEL

# XC

HYBRID OF THE ALIEN AND PRAXIS TECHNICAL WALL SYSTEM COMES XC, THE RANGE WITH DOORS IN DUPONT™ CORIAN® AND FRAME IN BILAMINATE



Doors and fronts in DuPont™ Corian® 12 mm thick with 4 mm thick clear glass

Frame in bilaminate

Handles in Corian® integrated into the door structure

### DOOR COLOUR RANGE



DuPont™ Corian® Athena Gray

DuPont™ Corian® Cameo White

Diamond Blue

### FRAME COLOUR RANGE



Bilaminate grey

ACCESSORIES



**APE**  
Label bar  
**ETB**  
Label holder in plastic  
**CET**  
Transparent cover



**RA60**  
Shelf in HPL  
for cabinets with moulded sides



**RID4**  
Inclined shelf for 66 cm wide x  
46 cm deep unit



**RID3**  
Inclined shelf for 46 cm wide x  
67 cm deep unit



**BAR40 / BAR60**  
Endoscope hooks



**SPV40 / SPV60**  
Catheter hooks



**SC1** (Ladder)  
**CRS1** (ladder runner)  
Ladder and ladder runner



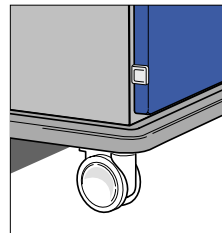
**PF6646**  
Suture holders for 46 cm wide x 67  
cm deep units  
**PF4667**  
Suture holders for 46 cm wide x 67  
cm deep units



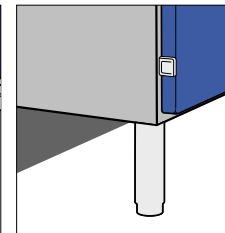
**MSA**  
Lockable dispensing cabinet



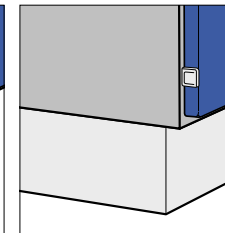
SUPPORT OPTIONS



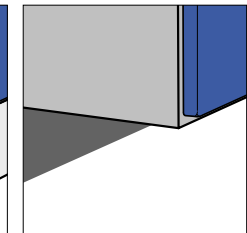
Wheels



Feet



Steel plinth



Suspended

CONTROL AND MONITORING COUNTER UNITS

**SIMPLE  
MODULAR  
SOLUTIONS**



Favero control counter units, with their range of brilliant technical solutions, are perfect for therapy, reception and acceptance areas.

**This is a modular system which is compatible with all base units from the Praxis range.**



WARD

PAEDIATRICS

CONSULTING  
ROOMS & CLINICS

TECHNICAL WALL  
SOLUTIONS

CARTS

STRETCHERS

COMPLEMENTARY  
FURNITURE

HEALTHCARE  
FACILITIES



# CONTROL AND MONITORING COUNTER UNITS



The counters can be fitted with **glass dividers**; the compartment which in the standard version contains the file holder can be equipped to hold equipment. The external panelling can easily be removed thanks to a magnetic fixing system.



Our counters can be configured with **press-formed aluminium bases** mounted on castors, for greater versatility.

## TECHNICAL COUNTER COMPONENTS

<b>BXB</b>	Counter element in laminate
<b>BX45</b>	45° angled counter
<b>BX90</b>	90° angled counter
<b>FTP</b>	End section and counter support
<b>BFX</b>	DuPont™ Corian® side panel
<b>BFA</b>	Corner end section
<b>PD960</b>	Worktop column height-adjustable
<b>PE1</b>	Cable organiser
<b>PAL</b>	Panel for electrical sockets
<b>TP6</b>	Post forming top prof. 670
<b>TBB</b>	Top in bilaminate dimensions on request

# CARTS

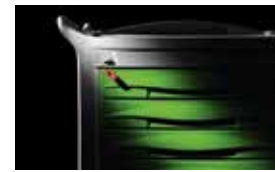
## MANAGEABLE LOGISTICS FOR HEALTHCARE PROFESSIONALS



What we offer with our carts are tidy, manageable spaces that are functional and easy to handle in order to facilitate the various tasks that healthcare workers must carry out in their work.

That is why we have studied a wide range of products that are specific to different departments and functions, all characterised by **durability**, an **excellent finish**, and **high quality materials**, real, intelligent and moving space management systems.

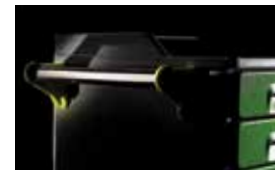
## CARTS INDEX



### OVERTOUR

pg. 182

The single-piece frame has made it possible to develop a lightweight, durable and easy to clean cart whose high quality, along with the space management system and extensive range of accessories, make Overtour a true ally for doctors.



### EUROFUTURA

pg. 196

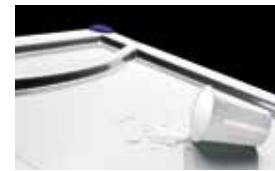
Thanks to its lines and eye-catching colors that complement its high level of functionality, Eurofutura is a versatile cart with accessories that is suitable for all needs.



### CARTESIO

pg. 204

Durable, lightweight, and configurable to different needs, Cartesio is suitable for transporting drugs, medical records, and medical supplies.



### CARLO

pg. 210

This line allows you to create endless combinations to meet the different needs of the department and ward.



### CARRELLI ED ELEMENTI MULTIFUNZIONE

pg. 214

To meet all of your needs, Favero also makes a wide range of service carts and an entire line of stainless steel carts designed for the operating room.

WARD

PAEDIATRICS

CONSULTING  
ROOMS & CLINICS

TECHNICAL WALL  
SOLUTIONS

CARTS

STRETCHERS

COMPLEMENTARY  
FURNITURE

HEALTHCARE  
FACILITIES



## OVERTOUR

# MULTI-PURPOSE ONE-PIECE FRAME CART



## MAIN FEATURES



### SAFETY

Made as a single-piece polyethylene frame, the Overtour cart **has no corners, edges, or detachable parts** in order to ensure maximum safety and make it easy to clean. It is lightweight and quiet and is also equipped with four optional locking systems to meet different needs and allows you to seal all of the drawers instantly with a single action.



### DURABLE

Lightweight and durable, the single-piece frame **can handle up to 100 kg**. Built to withstand bumps and impacts, it **ensures the drugs inside are protected and stable** while in motion.



### HIGHLY CUSTOMISABLE

Featuring a **large work surface** with raised edges and supplementary pull-out work surface, the body of this cart is made from 100% recyclable material. You can choose between **4 types of drawers (10, 15, 20, and 30 cm high)** that are **available in various colour combinations**, each with built-in handles. Each drawer can also be fitted with adjustable dividers.



### SINGLE-PIECE FRAME

The single-piece frame design, which is a unique, original concept, **ensures that the product is free of seams and cracks** to increase its robustness and to keep bacteria from building up and proliferating, **ensuring greater hygiene and cleaning**. Ease of disinfection is a key element in the healthcare sector.

## EMERGENCY

**9CL6021****EMERGENCY 1**

This is a standard configuration equipped with the basic accessories that make it an emergency cart.

The cart is equipped with:

- Seal lock
- Two 10 cm drawers
- One 15 cm drawer
- Adjustable height IV pole
- Oxygen tank holder
- Swivel defibrillator/monitor shelf
- Cardiac board.

**9CL6022****EMERGENCY 2**

Thanks to the unparalleled combination of technical features and the right accessories, this cart is the perfect solution for the most common life support protocols. It is equipped with:

- Seal lock
- Three 10 cm drawers
- Two 15 cm drawers
- Adjustable height IV pole
- Oxygen tank holder
- Swivel defibrillator/monitor shelf
- Cardiac board
- Catheter holder.

**9CL6001****EMERGENCY 3**

Comes standard with 2 drawers 15 cm high and 3 drawers 100 cm high. Standard accessories:

- 14 litre medium-sized waste bin
- Adjustable IV pole with two plastic hooks
- Swivel defibrillator/monitor shelf
- Cardiac board
- Oxygen cylinder holder
- Catheter holder
- Two side swinging pockets with a flap
- Key lock or seal.

**9CL6023****EMERGENCY 4**

Our all-inclusive solution for emergency procedures is lightweight and quiet even when complete with all accessories.

The cart is equipped with:

- Seal lock
- Three 10 cm drawers
- Two 15 cm drawers
- Adjustable height IV pole
- Oxygen cylinder holder
- Swivel defibrillator/monitor shelf
- Cardiac board
- Catheter holder
- 14 litre medium-sized waste bin
- Single pocket with a flap
- Aspirator support
- Square sharps container support
- Ampoule breaker.



## OVERTOUR

## THERAPY AND MEDICATION

**9CL6002****MEDICATION CART**

Comes standard with six 10 cm high drawers. Ability to customize the colour of the drawers, the cart frame, and bumper.

Standard accessories

- Bridge rack dispenser with six trays
- 14 litre medium-sized waste bin
- Catheter holder
- Two pockets with flaps
- Key lock or seal.

**9CL6005****ANAESTHESIA CART 1**

Comes standard with 2 drawers 15 cm high and 3 drawers 10 cm high.

Ability to customise the colour of the drawers, the cart frame, and bumper.

Standard accessories

- Tubular rail for fixing accessories
- Catheter holder
- Stainless steel shelf
- Side accessory rail
- Stainless steel supporting rail 25 x 10 mm
- Single glove box holder
- Ampoule breaker
- Key lock or seal locking system.

**9CL6003****THERAPY CART**

Comes standard with four 15 cm high drawers. Ability to customise the colour of the drawers, the cart frame, and bumper.

Standard accessories

- Bridge dispenser with 10 tilting containers
- Side accessory rail
- Double Clamp for IV pole
- Adjustable IV pole with two plastic hooks
- Key lock or seal locking system.

**9CL6403**

Cart with top compartment free to accommodate 2 bin tray drawers and fitted with 2 standard 100 mm drawers

**9CL6762**

Bin tray drawer with 12 bins, useful dimensions 108 mm x 273 mm x 42 mm

**9CL6763**

Bin tray drawer with 8 bins, useful dimensions 108 mm x 273 mm x 72 mm



## OVERTOUR

## THERAPY AND MEDICATION

**9CL6102****CART WITH ONE 10 CM DRAWER**

Accessori su richiesta:

**VP 5**

Tray, 600 mm x 400 mm x 50 mm

**VP 10**

Tray, 600 mm x 400 mm x 100 mm

**9CL6915**

Arc tube for mounting accessories

**9CL6910**

Multiple glove box holder

**9CL6901**

Shelf with two trays

**9CL6907**

Square sharps container support

**9CL6107****CART WITH SIX 10 CM DRAWERS**

Accessories upon request:

**9CL6803**

Side accessory rail

**9CL6109****LIFE SAVING MEDICINE CART**

Comes standard with 2 drawers 15 cm high and 3 drawers 10 cm high

Accessories upon request:

**9CL6803**

Side accessory rail

**9CL6703**

Right and left key lock

**9CL6110****CART WITH 3 SMALL DRAWERS 10 CM HIGH AND 1 LARGE DRAWER 30 CM HIGH**

Accessories upon request:

**9CL6925**

Bridge dispenser with 2 tilting containers each one with 4 separated boxes

**9CL6852**

14 litre medium-sized waste bin





## OVERTOUR

## MULTI-PURPOSE

**9CL6008****A4 CHART HOLDER CART**

Accessories upon request:

**9CL6927**

Lamp with rechargeable battery

**9CL6926**

Monitor holder tray with accessory rail

**9CL6803**

Side accessory rail

**9CL6009****A3 CHART HOLDER CART**

Accessories upon request:

**9CL6924**

Battery-powered x-ray illuminator

**9CL6101****CART WITHOUT DRAWERS**

Accessories upon request:

**9CL6759**

Door height 600 mm with key lock and one HPL shelf

**9CL6109A****NON-MAGNETIC CART**

Comes standard with 2 drawers 15 cm high and 3 drawers 100 cm high.

- Cart completely assembled with non-magnetic materials
- Ability to customise the colour of the drawers, the cart frame, and bumper
- At the base 4 non-magnetic 125 mm swivel castors with brake.



ACCESSORIES

LOCKS



Neutral front without lock



Key lock



Seal locking system



**9CL6710**  
50 red seal locks with sequential numbering



Electronic code lock

ACCESSORIES



**9CL6954**  
Bottle holder on rear left side



**9CL6955**  
Bottle holder on rear (centre)



**9CL6956**  
Bottle holder on rear right side



**9CL6919**  
Removable stainless steel surface  
**9CL6928**  
Removable polyurethane mat



**9CL6852**  
14 litre medium-sized waste bin



**9CL6853**  
20 litre large waste bin



**9CL6854**  
Pair of 8 l waste bins



**9CL6855**  
27 l electronic waste bin



**9CL6751**  
Drawer divider kit for 100 mm and 150 mm high drawers



**9CL6765**  
10 mm thick HPL shelf



**9CL6715**  
Phlebotomy bottle holder for 300 mm high drawer



**9CL6801**  
Aspirator pump holder  
Dimensions: 340 mm x 180 mm



**9CL6802**  
Tilting bin (Single)



**9CL6803**  
Side accessory rail



**9CL6951**  
Oxygen cylinder holder 110 mm max diameter



**9CL6952**  
Cardiac board



**9CL6953**  
Catheter holder



**9CL6807**  
**9CL6857**  
right or left single bottle holder

ACCESSORIES

UPPER ACCESSORIES FOR CART



**9CL6900**  
Single accessory attachment tube



**9CL6915**  
Arc-shaped tube for attaching accessories



**9CL6901\***  
Upper shelf with 2 trays



**9CL6902**  
Bridge rack dispenser with six trays



**9CL6903\***  
Stainless steel shelf



**9CL6921\***  
Support with disinfection tray



**9CL6916\***  
Aspirator support



**9CL6907\***  
Square sharps container support (160 x 160 standard but customizable)



**9CL6908\***  
Round sharps container support (160 x 160 standard but customizable)



**9CL6909\***  
Single glove box holder



**9CL6910\***  
Multiple glove box holder



**9CL6911**  
Adjustable IV pole with 2 plastic hooks



**9CL6917\***  
Ampoule breaker



**9CL6914**  
Monitor holder tray



**9CL6926**  
Monitor holder tray with accessory rail



**9CL6925**  
Bridge dispenser with 2 tilting containers each one with 4 separated boxes



**9CL6904**  
Bridge dispenser with 10 tilting containers



**9CL6927\***  
Lamp with rechargeable battery



**9CL6924**  
Battery-powered X-ray illuminator



**9CL6918\***  
Double clamp for IV pole



**9CL6905\***  
25 x 10 stainless steel supporting rail



**9CL6906\***  
30 x 10 stainless steel supporting rail

For accessories marked with an "\*" you need to choose an accessory attachment tube type.

FRAME COLOURS



Grey



Sky Blue



Ivory

BUMPER COLOURS



Orange



Grey

DRAWER COLOURS



Sky Blue



Orange



Red



Mandarin Orange



Ivory



Green



Blue

DOOR COLOURS



Sky Blue



Ivory



Orange

COMPLIANCE

Directive 93/42/EEC as amended in accordance with Directive 2007/47/EC  
Equipment Classification: Class 1

# MULTI-PURPOSE ONE-PIECE FRAME CART



## MAIN FEATURES



### WASHABLE

Thanks to the special properties of the materials it is made of, the single-piece frame, complete with push handle, bumper, and wheels, **can be washed and disinfected manually using common detergents**, ethyl alcohol or bleach, and can also be subjected to an **automatic washing process inside a disinfection tunnel at a temperature of 90° C.**



### HIGHLY CUSTOMISABLE

A careful design of the shape of the basic components of these items (especially the frames) has enabled us to create **a vast product line**. This special feature enables users to easily modify the configuration of the front of the carts **by swapping out the basic components** without the aid of any type of tool, even between different carts.



### FIREPROOF

Extensive testing conducted by a prestigious laboratory have established that **the rigid Baydur® techno-polymer** that the single-piece frame and front of the cart are made of is Class 1 fire retardant material and self-extinguishing. That same laboratory **gave the Eurofutura cart VO 94 V5 class of fire resistance certification** which is reserved for components that have successfully passed the most stringent tests. Eurofutura can be used safely in all environments where flammable gas mixtures are present and proves to be a valuable support in critical emergency situations.



### ONE-PIECE FRAME

The Eurofutura cart's one-piece frame is made of rigid Baydur® techno-polymer through a **moulding and low pressure injection process**. The result is a piece with remarkable **mechanical strength and non-deformability**, accompanied by the extreme lightness of the base material and the possibility of directly burying the inserts and small metal parts into the frame for attaching the cart's various components.



## MODELS

## 9CL1300

**THERAPY AND EMERGENCY CART**

Width 60 cm and comes with 3 drawers 10 cm high and 2 drawers 15 cm high. Ability to customise the colour of the drawers.

Complete with the following accessories:

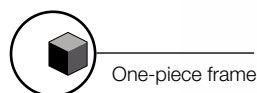
- 1 dual dispenser set with 4+5 compartments
- 1 monitor holder shelf
- 2 support bars for accessories
- 1 waste bin
- 1 wire basket aspirator holder

**9CL9007**

Cardiac board

**9CL9351**

Lamp



## 9CL1301

**EXAMINATION TREATMENT CART**

Cart comes standard with one 15 cm high drawer and two 45 cm high drawers. Ability to customise the colour of the drawers. Fitted with an x-ray illuminator drawer.

**9CL9352**

Swivel monitor shelf, capacity 12 kg. Useful size of top 40 cm x 32 cm.

**9CL9355 (x 2)**

Tubular stainless steel accessory rail

**9CL9353**

Plastic waste bin with inner container and knee-operated opening system. Capacity approx. 14 litres. Dimensions 25 cm x 22 cm x 40 cm

**9C9354**

Aspirator rack in chromed steel wire. Dimensions 25 cm x 11 cm



## 9CL0101

90 cm wide cart with 7 drawers

Two 60 cm x 15 cm high drawers  
n. 1 large 60 cm x 30 cm high drawer with stainless steel internal compartment on telescopic runners  
Four 30 cm x 15 cm high drawers  
Ability to customise the colour of the drawers.



## 9CL0052

**7 DRAWER CART**

Cart comes with two 30 cm x 15 cm drawers, three 30 cm x 10 cm drawers, and two 60 cm x 30 cm drawers. Ability to customise the colour of the drawers.



FEATURES



Raised rim integrated with the body on three sides of the worktop and front rim to retain liquids



Push handle in AISI 304 stainless steel fitted with soft bumpers where it is attached to the body



Easily washable and removable drawers made in a single piece equipped with runners



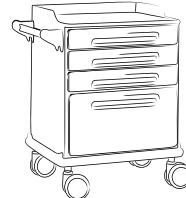
Soft plastic perimeter bumper strip around the base

SYSTEM 60 CART

Body size 61.5 cm x 57 cm x 65 cm (height of worktop from floor, 86 cm)  
Overall size 76 cm x 61 cm x 92 cm (including push handle and bumpers)



9CL0050



9CL0051



9CL0053



9CL0052



9CL0068



9CL0056



9CL0055



9CL0054



9CL0057



9CL0058

SYSTEM 90 CART

Body size 91.5 cm x 57 cm x 65 cm (height of worktop from floor, 86 cm)  
Overall size 106 cm x 61 cm x 92 cm (including push handle and bumpers)



9CL0100



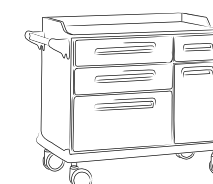
9CL0101



8CL0186



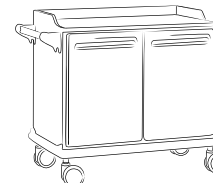
9CL0107



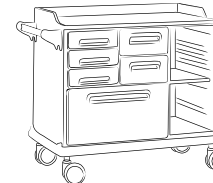
9CL0102



9CL0104



9CL0108



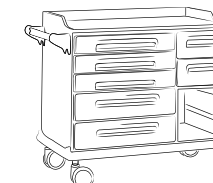
9CL0109



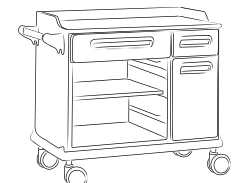
9CL0105



9CL0106



9CL0110



9CL0111

## ACCESSORIES



**9CL9207**  
Centralised key lock on right hand side



**9CL9208**  
Centralised key lock on both sides of the cart



**9CL9209**  
Centralised key lock on left hand side



**9CL9357**  
Stainless steel drugs drawer with reinforced lock



**9CL9356**  
Drawer locking system with cylinder lock



**9CL9358**  
Breakaway seal drawer locking system



**9CL9350**  
Dispenser with 7 compartments with supporting shelf. Size 60x14x50 cm



**9CL9102**  
Syringe dispenser with 4 tall compartments and 90 cm supporting shelf. Dispenser size 60x14x21 cm



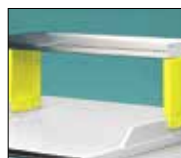
**9CL9103**  
Cannula dispenser with 5 short compartments and 90 cm supporting shelf. Dispenser size 60x11x17 cm



**9CL9101**  
Set consisting of two-tier dispenser with 4 and 5 compartments complete with support shelf. Size 90x15x38 cm.



**9CL9001**  
Set consisting of two-tier dispenser with 4 and 5 compartments complete with support shelf. Size 60x15x38 cm



**9CL9104**  
Stainless steel monitor shelf complete with clamps. Dimensions 60x20x20 cm



**9CL9019**  
IV pole with 2 plastic hooks and clamp



**9CL9040**  
IV pole with 4 plastic hooks and clamp



**9CL9351**  
12 V lamp with battery charger



**9CL9022**  
Tilting stainless steel shelf. Dimensions 33 x 51 cm



**9CL9122**  
Tilting plastic shelf. Dimensions 46 x 47 cm



**9CL9352**  
Removable stainless steel shelf, approx. capacity 12 kg. Useful size of top 40 x 32 cm



**9CL9205**  
Removable stainless steel top. Dimensions 55 x 50 cm



**9CL9206**  
Removable stainless steel top. Dimensions 85 x 50 cm



**9CL9355**  
Tubular stainless steel accessory rail

## COMPLIES WITH

Directive 93/42/EEC as amended in accordance with Directive 2007/47/EC  
Equipment Classification: Class 1



**9CL9009**  
Ampoule breaker with support and detachable plastic disposal bin. Dimensions 7x15x20 cm (rail 9CL9355 is required)



**9CL9025**  
Stainless steel catheter container with support and 3 dividers. Dimensions 16x8x57 cm (rail 9CL9355 is required)



**9CL9018**  
Round stainless steel container with support. Diameter 8x13/17 cm (rail 9CL9355 is required)



**9CL9034**  
Stainless steel adjustable ring for round sharps container (excluding container). (Rail 9CL9355 is required)



**9CL9039**  
Stainless steel adjustable support for square sharps container (excluding container) (rail 9CL9355 is required)



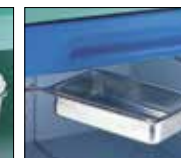
**9CL9029**  
Support bracket for 2.5 litre emergency bottle (rail 9CL9355 is required)



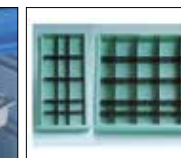
**9CL9023**  
Gang module with 5 safety sockets to current standards with cable storage (rail 9CL9355 is required). Not approved for electric medical devices.



**9CL9016**  
PP instrument holder with slot in lid, mounted on swivel stainless steel support. Dimensions 30x23x13 cm



**9CL9015**  
Swivel stainless steel tray with support. Dimensions 17x25x 5.5 cm



**9CL9117**  
**9CL9118**  
**9CL9119**  
**9CL9120**  
Set of dividers for drawers



**9CL9354**  
Aspirator rack in chromed steel wire. Dimensions 25 x 11 cm (rail 9CL9355 is required)



**9CL9007**  
Cardiac board made of transparent plastic. Dimensions 53 x 53 cm, 1 cm thick.



**9CL9353**  
Plastic waste bin with inner container and knee-operated opening system. Capacity approx. 14 litres. Dimensions 25x22x40 cm (rail 9CL9355 is required).



**9CA9103**  
Waste bin with electronic opening sensor - automatic closure by photocell. Penlight (AA) battery operation. Capacity 27 litres. (rail 9CL9355 is required).

## COLOURS



**5012**  
Blue



**317 C**  
Aquamarine



**RAL 6027**  
Light Green



**RAL 6029**  
Bottle Green



**RAL 6018**  
Fir Green



**RAL 2011**  
Mandarin Orange



**RAL 2004**  
Orange



**RAL 3020**  
Red

# TOP QUALITY TECHNOLOGICAL CARTS



## MAIN FEATURES



### HIGH QUALITY MATERIALS

**Aluminium and stainless steel** are the soul of CartEsio which is synonymous with high quality and durability. **The aluminium takes on various shapes and finishes to form a robust, yet lightweight modular frame** into which specific modules can be inserted into the six lines.



### WIDE RANGE AVAILABLE

CartEsio encompasses six lines of top quality technological carts, the result of Favero Health Projects' years of experience in the hospital sector.

Each line has been conceived to meet specific transport requirements such as the movement of drugs, materials to aid nursing activities, the storage of clinical files or documents and computers or data carriers.



### LIGHTWEIGHT

The use of aluminium alloys make the cart extremely lightweight.



### CORROSION RESISTANT


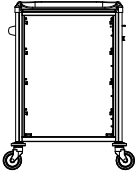
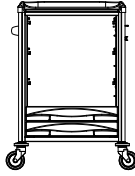
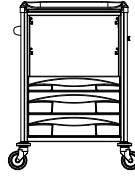
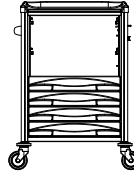
Aluminium alloys and stainless steel ensure excellent protection against rust.



# CARTESIO


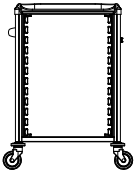
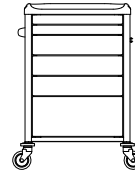
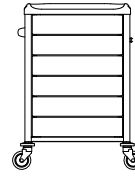
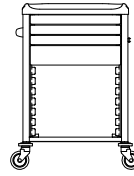
## MODELS

**9CA21**  
Version with single-dose drug bin tray drawers and moulded drawers

9CA2100      9CA2101      9CA2102      9CA2103

**9CA22**  
Version with drawers/Praxis trays (ISO 3394 Standard)

9CA2200      9CA2201      9CA2202      9CA2203

**9CA23**  
Version doors with shelves and filing compartments


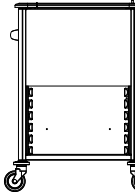
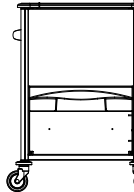
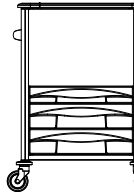







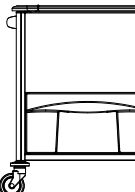

9CA2300      9CA2301      9CA2302      9CA2303      9CA2304

**9CA24** Version with filing compartment and moulded drawers


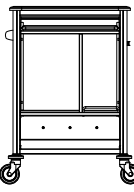
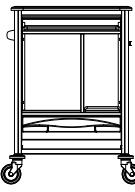
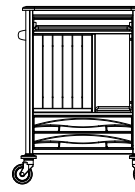
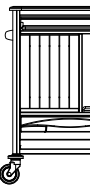
9CA2400      9CA2401      9CA2402

**9CA25** Version with filing compartment and filing drawer

9CA2500

**9CA26** Version for PC

9CA2600      9CA2601      9CA2602      9CA2603

# CARTESIO

## ACCESSORIES

\* Usable with accessories code 9CA9240 and code 9CA9242



**9CA9242**  
Single stainless steel tube, diameter 28 mm



**9CA9240**  
Arc-shaped stainless steel tube, diameter 28 mm



**9CL6901\***  
Upper shelf with 2 trays



**9CL6903\***  
Stainless steel shelf



**9CL6921\***  
Support with disinfection tray



**9CL6907\***  
Square sharps container support



**9CL6908\***  
Round sharps container support



**9CL6927\***  
Lamp with rechargeable battery



**9CL6909\***  
Single glove box holder



**9CL6910\***  
Multiple glove box holder



**9CL6917\***  
Ampoule breaker



**9CL6902**  
Bridge rack dispenser with six trays



**9CL6904**  
Bridge dispenser with 10 tilting containers



**9CL6925**  
Bridge dispenser with 2 tilting containers each one with 4 separated boxes



**9CA9105**  
Side chart/folder holder. Not available for 9CA23

### COMPLIES WITH

Directive 93/42/EEC as amended in accordance with Directive 2007/47/EC  
Equipment Classification: Class 1



**9CA9211 dx**  
**9CA9220 sx**  
Accessory rail support  
Not available for 9CA23



**9CA9215**  
Fold-up MDF worktop.  
NOT AVAILABLE FOR 9CA23  
9CA24-9CA25



**9CA9212**  
14 litre medium-sized waste bin  
Not available for 9CA23



**9CA9213**  
20 litre large waste bin  
Not available for 9CA23-9CA25



**9CA9214**  
Pair of 8 l waste bins  
Not available for 9CA23



**9CA9200**  
HPL shelf, dimensions: 600 mm x 425 mm x 10 mm  
Not available for 9CA21-9CA25-9CA26



**VP5D**  
ISO standard plastic tray  
60 x 40 x 5 cm



**VP10D**  
ISO standard plastic tray  
60 x 40 x 10 cm



**VP20D**  
ISO standard plastic tray  
60 x 40 x 20 cm

### DOOR COLOURS



White



Aquamarine



Green



Sky Blue



Orange



Red



Mandarin Orange



Ivory



Burgundy

### DRAWER COLOURS

## CARLO

# THE REVOLUTIONARY CART SYSTEM FOR ALL HOSPITAL DEPARTMENTS



The Carlo line carts **use trays at various heights made of ultra strong plastic materials** that conform to ISO dimensions 60 cm x 40 cm. Movable dividers organize spaces

for the products in the trays, offering a **logical division between products for immediate use and stocks**. Products are easily identified thanks to a system of **coloured labels**.



**VP5D**  
ISO standard plastic tray  
60 cm x 40 cm x 5 cm

**VP10D**  
ISO standard plastic tray  
60 cm x 40 cm x 10 cm

**VP20D**  
ISO standard plastic tray  
60 cm x 40 cm x 20 cm

**DV5**  
Divider kit  
(1 longitudinal and 2 cross)  
height 5 cm

**DV10**  
Divider kit  
(1 longitudinal and 2 cross)  
height 10 cm

**DV20**  
Divider kit  
(1 longitudinal and 2 cross)  
height 20 cm

## MODEL



**9CA1001**  
Tray holder logistics  
cart



**9CA1007**  
Logistics cart w/  
moulded shelves



**9CA1008**  
Logistics cart with  
stainless steel  
shelves



**9CA1004**  
Logistics cart with  
three drawers and  
open space



**9CA1003**  
Logistics cart with  
four drawers



**9CA1005**  
Logistics cart with  
five drawers



**9CA1002**  
Logistics cart with  
four fixed height  
drawers



**9CA1006**  
Logistics cart with  
three drawers



**9CA1009**  
Examination  
treatment cart

## ACCESSORIES



**9CA9102**  
Tubular stainless steel  
accessory rail



**9CAL9034**  
Adjustable stainless steel  
ring for holding used sharps  
container



**9CL9018**  
Removable stainless steel  
cylindrical containers,  
dimensions 8 x 13 or  
8 x 17 cm



**9CL9354**  
Removable rack in chromed  
steel wire, 25 x 11 cm



**9CA9106**  
Stainless steel catheter and  
probe container  
with 3 internal dividers,  
16 x 8 x 57 cm



**9CL9353**  
Plastic waste bin  
with 14 litre capacity  
internal container,  
25 x 22 x 40 cm



**9CA9103**  
27 litre capacity waste bin  
with electronic opening  
sensor - automatic closure  
by photocell. Penlight (AA)  
battery operation.



**VP20C**  
A4 filing bin  
60 x 40 x 30 cm



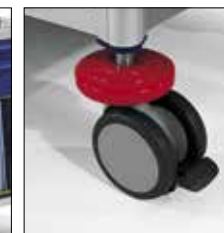
**CS1**  
Plastic chart filing system, 7  
compartments  
8 x 40 x 34 cm



**RA60**  
HPL laminated shelf  
60 x 40 x 1 cm



**9CA9105**  
Side x-ray holder  
in painted aluminium  
40 x 9 x 45 cm



10 cm twin wheeled  
castor with brake  
and bumper



# MULTI-PURPOSE CARTS AND UNITS

## SERVICE CARTS FOR EQUIPMENT



9CL1205      9CL1206      9CL1208      9CL1209



9CL1210      9CL1216      9CL1217

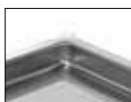
**Surface dimensions:**  
600 x 420 mm  
**Overall size:**  
680 x 460 mm  
**Work surface height:**  
800 mm (adjustable)  
**Support base height:**  
1400 mm

-  RAL 5012
-  317 C
-  RAL 6027
-  RAL 6018
-  RAL 6029
-  RAL 2011
-  RAL 2004
-  RAL 3020

## CARTS WITH STEEL TRAYS



**Plied sheet steel tray**



**Moulded sheet steel tray**

<b>Chrome-plated steel</b>	<b>9CM0012</b> 750 x 520 x 820 mm	<b>9CM0008</b> 750 x 520 x 820 mm
	<b>9CM0013</b> 920 x 580 x 820 mm	<b>9CM0009</b> 920 x 580 x 820 mm
<b>AISI 304 stainless steel</b>	<b>9CM0055</b> 750 x 520 x 820 mm	<b>9CM0050</b> 750 x 520 x 820 mm
	<b>9CM0056</b> 920 x 580 x 820 mm	<b>9CM0051</b> 920 x 580 x 820 mm




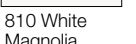
## CARTS WITH LAMINATE TRAYS



<b>Chrome-plated steel</b>	<b>9CM0016</b> 750 x 520 x 820 mm
	<b>9CM0017</b> 920 x 580 x 820 mm
<b>AISI 304 stainless steel</b>	<b>9CM0060</b> 750 x 520 x 820 mm
	<b>9CM0061</b> 920 x 580 x 820 mm



2 drawers  
**9CM9020**  
750 x 520 mm  
**9CM9025**  
920 x 580 mm

-  486 Green
-  499 Blue
-  481 Aquamarine
-  810 White Magnolia

## MEDICAL WASTE CARTS



**9CB0231**  
1 bin  
466 x 928 x 554 mm  
**9CB0232**  
2 bins  
755 x 928 x 554 mm  
**9CB0233**  
3 bins  
1133 x 928 x 554 mm









**9CB0211**  
1 bin  
1050 x 730 x 1128 mm  
**9CB0212**  
2 bins  
1345 x 730 x 1128 mm  
**9CB0213**  
3 bins  
1695 x 730 x 1128 mm



**9CB0221**  
1 bin  
1050 x 730 x 1128 mm  
**9CB0222**  
2 bins  
1345 x 730 x 1128 mm  
**9CB0223**  
3 bins  
1667 x 730 x 1128 mm



**9CB0230**  
2 bins  
1045 x 700 x 1038 mm

-  RAL 1028 Yellow
-  RAL 7042 Grey
-  RAL 3002 Red
-  RAL 5012 Blue
-  RAL 7035 White
-  RAL 6018 Green

## MULTI-PURPOSE UNITS



**9CB0310**  
Closed clean linen cart made from AISI 304 stainless steel, doors open to an angle of 270°. Handle length: 450 mm. Inside shelf dimensions: 890 x 538 mm. Door dimensions: 483 x 25 x 985 mm



**9AW0100**  
AISI 304 stainless steel bedpans closet with swinging doors and supports. Stainless steel adjustable 200 mm legs. Dimensions: 1000 x 580 x 2000 mm



**9SF1014**  
Painted steel shelf unit with 5 adjustable reinforced shelves and base with feet. Dimensions: 1000 x 400 mm

# STRETCHERS

## CARE AND DETAIL TO OPTIMIZE THE HANDLING OF PATIENTS



Designed for handling and treating patients, particularly during emergency and first aid situations, stretchers should help make healthcare professionals' work easier.

Lightweight, durable, and hygienic with an easy to push system. Fully height-adjustable and extremely versatile. These are just some of the features that make Favero stretchers the **ideal solution for healthcare professionals**.

## STRETCHERS INDEX



### SHERPA

pg. 218

The Sherpa line stretchers are versatile products that can be configured to suit your needs. The innovative one-piece radiolucent frame guarantees hygiene and maximizes infection control.



### GLIDE

pg. 232

From the more traditional design, Glide stretchers can either be set at a fixed height or a variable height in Trendelenburg and reverse-Trendelenburg positions.



### H-PLUS

pg. 234

The H-Plus emergency stretchers come in versions with 2 or 3 sections

WARD

PAEDIATRICS

CONSULTING  
ROOMS & CLINICS

TECHNICAL WALL  
SOLUTIONS

CARTS

STRETCHERS

COMPLEMENTARY  
FURNITURE

HEALTHCARE  
FACILITIES

# MULTI-PURPOSE AND SUITABLE FOR FIRST AID



## SHERPA STRETCHERS LINE



### TRAUMA

The TRAUMA model is adjustable in height and designed primarily as an emergency stretcher for patients with serious medical conditions, often with multiple trauma, in need of care and analysis to be carried out on the stretcher until their conditions are completely stabilised.



### INTENSIVE CARE

The INTENSIVE CARE model is the first stretcher in the world with 4 plastic one-piece sections. The 4 sections allow much more freedom to position the patient, increasing comfort during prolonged periods of hospitalisation.



### PROCEDURAL

The PROCEDURAL model is adjustable in height and is a versatile stretcher that can be used for transporting patients and performing treatments such as in emergency rooms.



### TRANSPORT

The TRANSPORT model is a fixed height stretcher that is ideal for transporting patients with non-critical clinical conditions inside clinics or for transfers.

# SHERPA MULTI-PURPOSE

## MAIN FEATURES

# RADIOLUCENCY

**Time is a critical factor in emergency situations. Getting results from tests quickly with a high degree of accuracy enables medical staff to make rapid diagnoses that could save a patient's life.**

When designing this stretcher, great care was given to its functions and construction solutions were designed to simplify and speed up the work of medical personnel that enables high quality, precision x-ray examinations without

moving the patient from the stretcher.

The radiolucent properties of the composite materials of the backrest are far superior than that of traditional HPL platforms, enabling doctors to get reliable results, without artefacts and with a high degree of detail for analysis.

In these images, you can see **the superior quality of an x-ray taken using a Sherpa stretcher** compared to one taken on a stretcher with a traditional HPL mattress.



X-ray of a hand taken on an 10 mm thick HPL stretcher.



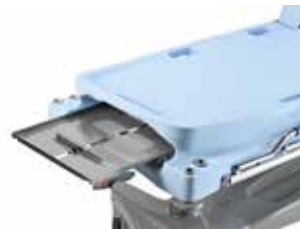
X-ray of a hand taken on a moulded Sherpa stretcher.



Available with a stainless steel x-ray cassette support, max dimensions 430 x 430 mm



Support for an x-ray cassette can be fixed on the back section to perform the examination



A wide opening at the foot of the stretcher allows for inserting or removing the x-ray cassette support

# WORKING LOAD AND TRANSPORT

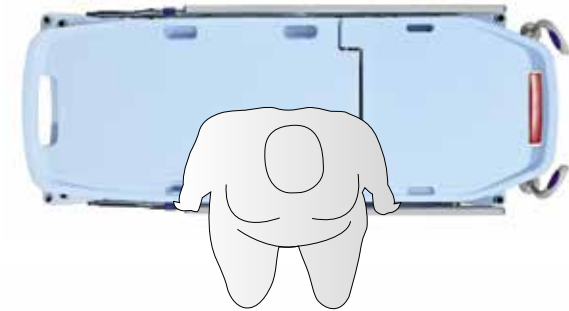
**The Sherpa stretcher has been subjected to many load tests in order to ensure that use is absolutely safe, even with larger patients.**

It is guaranteed for a safe working load (SWL) of 315 kg and a patient weight of 250 kg.

It passed all of the lateral stability tests and is extremely stable, even with the mattress at the maximum height position.

**Less than 10 kg of thrust is required to move the stretcher loaded with 250 kg.**

**PATIENT WEIGHT  
250 KG**



**THRUST  
< 10 KG**





# SHERPA MULTI-PURPOSE

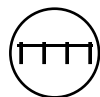
## MODEL

# TRAUMA

ADJUSTABLE HEIGHT EMERGENCY STRETCHER DESIGNED FOR PERFORMING X-RAY EXAMINATIONS

The mattress is completely radiolucent and there are many specific accessories for performing first screening x-ray examinations directly on the stretcher so as not to move the patient.

Trauma is designed so that x-ray exams may be performed along the entire length of the mattress.

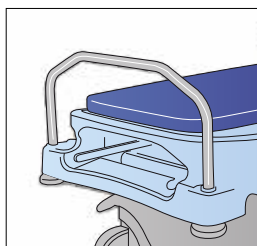


Linear design fold-down siderails with ample side protection for increased patient safety

One-piece polyethylene plastic moulded mattress support platform, completely radiolucent, designed for quick and easy cleaning and disinfection



Bumpers to protect the stretcher and walls of the rooms in the event of a collision



Foot end steel chrome push handles standard on all models



9BR3500

The backrest can be adjusted to increase patient comfort, alleviating any suffering



The entire platform is radiolucent and ideal for performing fluoroscopic examinations along the entire length of the stretcher

Fold-down ergonomic push handles

Highly stable columns for safely adjusting the height and tilt of the stretcher



Washable 200 mm wheels with central and directional locking system that increases the stability of the stretcher when stationary

Covered in plastic making it easy to clean and disinfect with storage compartments and large cylinder holders

# SHERPA MULTI-PURPOSE

## MODEL

# INTENSIVE CARE

**ADJUSTABLE HEIGHT EMERGENCY STRETCHER WITH 4 PLASTIC ONE-PIECE SECTIONS TO FACILITATE PATIENT POSITIONING**

Intensive care is designed for better positioning and comfort of patients. The 4 sections follow the ergonomics of the human body, facilitating the posture in critical situations.

**Intensive care is designed to perform x-rays in the prone position.**

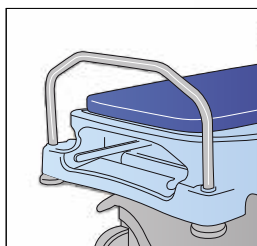


Linear design fold-down siderails with ample side protection for increased patient safety

4 one-piece recyclable moulded plastic sections for greater patient comfort



Bumpers to protect the stretcher and walls of the rooms in the event of a collision



Foot end steel chrome push handles standard on all models



Radiolucent backrest prepared for x-ray examinations

Fold-down ergonomic push handles

Highly stable columns for safely adjusting the height and tilt of the stretcher



Washable 200 mm wheels with central and directional locking system that increases the stability of the stretcher when stationary

Covered in plastic making it easy to clean and disinfect with storage compartments and large cylinder holders

**9BR450**

# SHERPA MULTI-PURPOSE

## MODEL

# PROCEDURAL

**VERSATILE HEIGHT-ADJUSTABLE EMERGENCY STRETCHER WHICH CAN BE USED FOR TRANSPORTING AND TREATING PATIENTS**

Thanks to the adjustable height of the Procedural model, **medical professionals**

**can always find the most ergonomic height** while treating a patient.

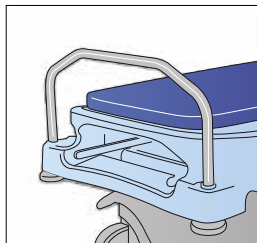


Linear design fold-down siderails with ample side protection for increased patient safety

Single-piece polyethylene moulded plastic mattress support platform, completely radiolucent, designed for quick and easy cleaning and disinfection



Bumpers to protect the stretcher and walls of the rooms in the event of a collision



Foot end steel chrome push handles standard on all models



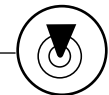
**9BR2500**



The back-rest can be adjusted to increase patient comfort, alleviating any suffering

Fixed ergonomic push handles

Highly stable columns for safely adjusting the height and tilt of the stretcher



Washable 200 mm wheels with central and directional locking system that increases the stability of the stretcher when stationary

Covered in plastic making it easy to clean and disinfect with storage compartments and large cylinder holders

# SHERPA MULTI-PURPOSE

## MODEL

# TRANSPORT

### FIXED HEIGHT STRETCHER FOR TRANSPORTING NON-CRITICAL PATIENTS

In addition to transfers between wards, the Transport model can be used as a **waiting stretcher for patients who need to lie**

**down before entering the emergency room.**

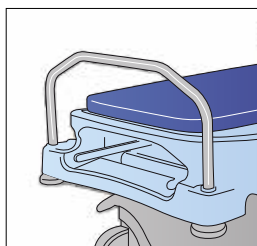


Linear design foldable side rails with ample side protection for increased patient safety

Single-piece polyethylene plastic moulded mattress support platform, completely radiolucent, designed for quick and easy cleaning and



Bumpers to protect the stretcher and walls of the rooms in the event of a collision



Foot end steel chrome push handles standard on all models



9BR1500



The back-rest can be adjusted to increase patient comfort, alleviating any suffering

Columns adjustable to 3 different fixed heights

Fixed ergonomic push handles



Washable 150 mm wheels with central and directional locking system that increases the stability of the stretcher when stationary

Covered in plastic making it easy to clean and disinfect with storage compartments and large cylinder holders



## SHERPA MULTI-PURPOSE

## TECHNICAL SPECIFICATIONS

## COLOUR RANGE



Sky blue (standard)



Coral red (standard)



Lilac (on request)



Grey (on request)

	TRAUMA	INTENSIVE CARE	PROCEDURAL	TRANSPORT
<b>TECHNICAL DATA</b>				
Platform	2 sections	4 sections	2 sections	2 sections
Mattress dimensions	1865x630x80 mm	1915x620x80 mm	1865x630x80 mm	1865x630x80 mm
Platform dimensions	1990x690 mm	2010x690 mm	1990x690 mm	1990x690 mm
Footprint	2010x810 mm	2085x805 mm	2045x810 mm	2045x810 mm
Platform height from floor	from 625 to 935 mm	from 575 to 885 mm	from 625 to 935 mm	850-880-910 mm
Position of adjustable height pedal	Both sides	Both sides	Both sides	-
Height of siderails over platform	315 mm	325 mm	315 mm	315 mm
Total weight (Not including accessories)	120 kg	146 kg	120 kg	120 kg
Max patient weight	250 kg	250 kg	250 kg	250 kg
Safe working load	315 kg	315 kg	315 kg	315 kg
Wheels	200 mm swivel wheels with braking system			125 mm with braking system
Backrest movement	from 0 to 83,5°	from 0 to 67°	from 0 to 83,5°	from 0 to 83,5°
Upper leg section movement	-	from 0 to 17,5°	-	-
Lower leg section movement	-	from 0 to 19°	-	-
Trendelenburg	max 14,5°± 0,5°	max 14,5°± 0,5°	max 14,5°± 0,5°	-
Reverse Trendelenburg	max 14,5°± 0,5°	max 14,5°± 0,5°	max 14,5°± 0,5°	-

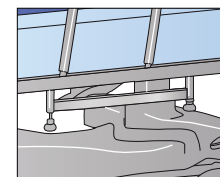
## COMPLIANT WITH

Directive 93/42/EEC modified in compliance with directive 2007/47/EC  
Device classification: Class 1

## ACCESSORIES



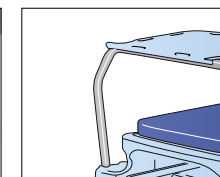
9BR9116



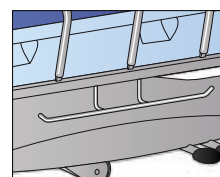
9BR9350



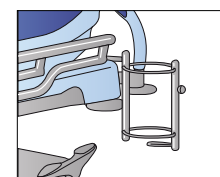
9BR9455



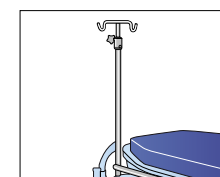
9BR9400



9BR9352



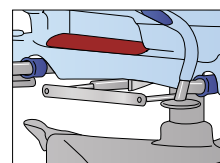
9BR9405



9BR9415 - 9BR9418



9BR9410



9BR9351

**9BR9116** Stainless steel x-ray equipment support

**9BR9350** Side mounted 25 x 10 standard accessory bar

**9BR9455** 5th swivel wheel

**9BR9400** Fold down monitor support with straps. Size 370 x 450 mm

**9BR9352** Side mounted bag support

**9BR9405** Vertical support for canisters with automatic size adjustment system. Max size: 110 mm

**9BR9415** Adjustable IV pole with 2 stainless steel hooks

**9BR9418** Adjustable IV pole with 2 plastic hooks

**9BR9410** Set of 3 patient restraint straps

**9BR9351** Pull-out 25 x 10 standard accessory bar, mounted at head end

**9BR9504** 2 section mattress

**9BR95011** Visco-elastic 2 section mattress

**9BR9544** 4 section mattress

# GLIDE

FIXED OR ADJUSTABLE HEIGHT STRETCHER WITH ADJUSTABLE BACK REST AND SYNCHRONISED AND DIRECTIONAL LOCKING



9BB1040



9BB1041



9BB1010

## TECHNICAL SPECIFICATIONS

TECHNICAL DATA	9BB1040	9BB1041	9BB1010
Footprint	1980 x 720 mm	1980 x 720 mm	1980 x 720 mm
Platform size	1950 x 650 mm	1950 x 650 mm	1950 x 650 mm
Platform height from floor	540 - 900 mm	540 - 900 mm	750 mm
Weight	85 kg	85 kg	45 kg
Safe working load	235 kg	235 kg	235 kg
Diameter of the swivel wheels with central and directional lock	Ø200 mm	Ø200 mm	Ø200 mm
Trendelenburg (only for 9BB1040)	12°	-	-
Reverse Trendelenburg (only for 9BB1040)	10°	-	-
Backrest movement	85°	85°	80°

OPTIONAL ACCESSORIES	9BB1010	9BB1040 / 9BB1041
Pair of fold-down siderails	9BB9005	9BB9008
Mattress	9BB9017	9BB9017
Clothing basket	9BB9022	9BB9020
Bumper	9BB9024	9BB9024
Antistatic wheels	9BB9027	9BB9026
Canister holder	9BB9028	9BB9029
IV pole housing	9BB9031	9BB9031
Radiolucent backrest	-	9BB9050
IV pole	9LD9030	9LD9030 + 9LD9031

### COMPLIANT WITH

Directive 93/42/EEC modified in compliance with directive 2007/47/EC  
 Device classification: Class 1

## H-PLUS

## MODEL

## H-PLUS 2

## 2-SECTION RADIOLUCENT EMERGENCY STRETCHER



9BR0011

## H-PLUS 3

## 3-SECTION RADIOLUCENT EMERGENCY STRETCHER FOR INCREASED COMFORT



9BR0010



## ACCESSORIES

<b>9BR9101</b>	Telescopic IV pole with 2 plastic hooks
<b>9BR9102</b>	Telescopic IV pole with 4 plastic hooks
<b>9BR9103</b>	Telescopic IV pole with 2 stainless steel hooks
<b>9BR9104</b>	Telescopic IV pole with 4 stainless steel hooks
<b>9BR9110</b>	Pair of chrome-plated push handles
<b>9BR9112</b>	Pair of chrome-plated push handles with plastic monitor support and straps
<b>9BR9115</b>	Sliding stainless steel drawer for x-ray plotter
<b>9BR9122</b>	Padded 2-section mattress, certified in class 1M
<b>9BR9123</b>	Padded 3-section mattress, certified in class 1M
<b>9LS9035</b>	Pair of fold-down siderails

## TECHNICAL DATA

Footprint	2110 x 805 mm
Platform size	1968 x 700 mm
Platform height from floor	min 620 max 915 mm
Trendelenburg	12°
Reverse Trendelenburg	12°
Backrest inclination	0° - 70°
Upper leg section inclination (3 section)	0° - 20°
Lower leg section inclination (3 section)	0° - 15°
Weight	120 kg
Safe working load	200 kg

## COMPLIANT WITH

Directive 93/42/EEC modified in compliance with directive 2007/47/EC  
Device classification: Class 1

# COMPLEMENTARY FURNITURE

## A BALANCE OF DESIGN AND FUNCTION



Bring to life the concepts of rationality, practicality, adaptability and design satisfying the need for both beauty and functionality.

We design all our kitchens, offices and furnishings to be **adaptable to their environment, meeting the widest possible range of needs.**

## COMPLEMENTARY FURNITURE INDEX



### OFFICE

pg. 238

Counters, cabinets and desks from our essential line: designed to combine functionality and looks without compromising on quality and strength.



### SEATING

pg. 240

All of our seating comes in various types, combining comfort and style into a design that is both formal and pleasing to the eye.



### KITCHEN

pg. 248

ANIKA modular kitchens, available in different designs and colours are both modern and practical and equipped with appliances all carrying the CE mark, complete with all main services.

WARD

PAEDIATRICS

CONSULTING ROOMS & CLINICS

TECHNICAL WALL SOLUTIONS

CARTS

STRETCHERS

COMPLEMENTARY FURNITURE

HEALTHCARE FACILITIES



# OFFICE

## COUNTERS



### RECEPTION

Essential and elegant and made up of a combination of elements including sides, front and top, interior and exterior angled furniture sets and other units all designed to add efficiency to the workplace.



### WELCOME

In the search for entrance and reception area furniture, the fundamental requirement is a combination of functionality and appearance. WELCOME makes all this possible with modular counters and units of various sizes and function.



### ATRIUM

Designed and built to last with clean, timeless features. Made with care using high quality components including glass, gloss and matt coatings and oxidized metal.

## CABINETS



Highly customizable thanks to the extensive range of available sizes and finishes, our cabinets help decorate your offices with beauty and functionality, side by side with our desks.

## DESKS



A collection designed to meet the need for change and adapt quickly to any situation. These worktops can be extended, joined and transformed into reception counters simply and easily.

# CHAIRS

## LOUNGE - ZERO



9SS0042S



9SS0042

### LOUNGE

Waiting area bench with two padded seats

### ZERO

Steel beam-mounted waiting area bench with legs. Seat and back in aluminium

	chair height 	seat height 	seat depth 	seat width 	chair width 	chair depth 
<b>LOUNGE - 9SS0042S</b> 2 seater bench Imitation leather covering	84	43	52	46	122	82
<b>LOUNGE - 9SS0043S</b> 3 seater bench Imitation leather covering	84	43	52	46	177	82
<b>ZERO - 9SS0042</b> 2 seater bench with armrest Aluminium	81	40	52	45	122	79
<b>ZERO - 9SS0042T</b> 2 seater bench with table and armrest - Aluminium	81	40	52	45	169	79
<b>ZERO - 9SS0043</b> 3 seater bench with armrest Aluminium	81	40	52	45	177	79
<b>ZERO - 9SS0043T</b> 3 seater bench with table and armrest - Aluminium	81	40	52	45	223	79

### LOUNGE COLOUR RANGE



## MITO









9SA5212



9SA5112

This model line with its clean, sleek design is perfect in any environment from waiting and other common areas to management offices.

	chair height 	seat height 	seat depth 	seat width 	chair width 	chair depth 
<b>9SA5111</b> Waiting area armchair	72	45	59	52	76	73
<b>9SA114</b> Waiting area armchair in imitation leather	72	45	59	52	76	73
<b>9SA5111</b> 2 seater waiting area sofa in fabric	72	45	59	125	140	73
<b>9SA5214</b> 2 seater waiting area sofa in imitation leather	72	45	59	125	140	73

### COLOUR RANGE

#### FABRIC COLOURS (100% PES - TREVIRA CS)



L308 L427 L371 L680 L708 L033

#### IMITATION LEATHER COLOURS (FIRE RESISTANT)



MI11 MI10 MI41 MI51 MI07 MI30 MI34 MI31 MI44



MI90 MI91 MI02 MI70 MI80 MI60 MI04 MI20

# CHAIRS

## POLO



9SP1100



### POLO PULL-OUT SINGLE BED

Easy to open and close, the Polo pull-out single bed is a smart solution to the need for an extra, comfortable bed. Equipped with a three-fold mechanism under the seat which can be pulled out after lifting the front.

	chair height	seat height	seat depth	seat width	chair width	chair depth
<b>9SP1100</b> Pull-out single bed in imitation leather	83	40	70	77	87	83

### COLOUR RANGE

#### IMITATION LEATHER COLOURS



## SILVER Executive seating



9SL4264



9SL4211CR



9SL411CR

Seat made from 13 mm beech plywood with seat and back panels padded in 30mm thick polyurethane foam with 6 mm beech inserts. Upholstered armrests in plated steel with black or chrome finish.

		chair height	seat height	seat depth	seat width	chair width	chair depth
Sled chair with armrests	<b>9SL4111</b> in fabric <b>9SL4114</b> in imitation leather	89	42	50	52	63	66
Sled chair with armrests chrome frame	<b>9SL4111CR</b> in fabric <b>9SL4114CR</b> in imitation leather	89	42	50	52	63	66
On wheels without armrests	<b>9SL4211</b> in fabric <b>9SL4214</b> in imitation leather	89/87	42/50	50	51	61	67
On wheels without armrests chrome frame	<b>9SL4211CR</b> in fabric <b>9SL4214CR</b> in imitation leather	89/97	42/50	50	51	61	67
On wheels with armrests	<b>9SL4241</b> in fabric <b>9SL4244</b> in imitation leather	89/97	42/50	50	51	61	67
On wheels with armrests chrome frame	<b>9SL4241CR</b> in fabric <b>9SL4244CR</b> in imitation leather	89/97	42/50	50	51	61	67
On wheels with armrests high back	<b>9SL4261</b> in fabric <b>9SL4264</b> in imitation leather	113/121	42/50	50	51	61	71
On wheels with armrests chrome frame	<b>9SL4261CR</b> in fabric <b>9SL4264CR</b> in imitation leather	113/121	42/50	50	51	61	71

FOR FULL COLOUR RANGE - SEE PG. 241

# CHAIRS

## GOLF



9SI1231

9SI1261

9SI1241

Swivel chair on wheels with covered seat and backrest. Backrest available in two heights.

		chair height	seat height	seat depth	seat width	chair width	chair depth
No armrests Medium back	<b>9SI1211</b> in fabric <b>9SI1214</b> in imitation leather	89/101	42/54	45	50	50	58
No armrests High back	<b>9SI1231</b> in fabric <b>9SI1234</b> in imitation leather	99/111	40/52	45	50	50	58
With armrests Medium back	<b>9SI1241</b> in fabric <b>9SI1244</b> in imitation leather	89/101	42/54	45	52	68	56
With armrests High back	<b>9SI1261</b> in fabric <b>9SI1264</b> in imitation leather	99/111	42/54	45	52	70	58

## STOOLS

The range of technical stools for professional use includes stools **with legs and footrest or wheels and no footrest**. The height is hydraulically adjustable by a maximum of 12 cm



9SG3124

9SG3101

Swivel on wheels Low	<b>9SG3101</b> in fabric <b>9SG3104</b> in imitation leather
Swivel on feet High	<b>9SG3121</b> in fabric <b>9SG3124</b> in imitation leather
Swivel on wheels High	<b>9SG3121R</b> in fabric <b>9SG3124R</b> in imitation leather
Swivel on feet With backrest	<b>9SG3331</b> in fabric <b>9SG3334</b> in imitation leather
Swivel on wheels With backrest	<b>9SG3331R</b> in fabric <b>9SG3334R</b> in imitation leather

## 1000 GOLF



Beam seating with black finish. Seat and back are made of hard plastic or rubber polyurethane foam covered with fire-resistant fabric (padded version). The armrests are made of nylon. The padded version has a protective cover made of polypropylene.

		chair height	seat height	seat depth	seat width	chair width	chair depth
2 seater bench	<b>9SB6221</b> in fabric <b>9SB6224</b> in imitation leather	81	44	46	47	105	60
3 seater bench	<b>9SB6321</b> in fabric <b>9SB6324</b> in imitation leather	81	44	46	47	155	60
4 seater bench	<b>9SB6421</b> in fabric <b>9SB6424</b> in imitation leather	81	44	46	47	210	60
5 seater bench	<b>9SB6521</b> in fabric <b>9SB6524</b> in imitation leather	81	44	46	47	260	60
2 seater bench with table	<b>9SB6241</b> in fabric <b>9SB6244</b> in imitation leather	81	44	46	47	155	60
3 seater bench with table	<b>9SB6341</b> in fabric <b>9SB6344</b> in imitation leather	81	44	46	47	210	60
4 seater bench with table	<b>9SB6441</b> in fabric <b>9SB6444</b> in imitation leather	81	44	46	47	260	60

### COLOUR RANGE FOR GOLF AND GOLF 1000 SEATING

#### FABRIC COLOUR RANGE (100% PES - TREVIRA CS)



L308 L427 L371 L680 L708 L033

#### IMITATION LEATHER COLOURS (FIRE RESISTANT)



MI11 MI10 MI41 MI51 MI07 MI30 MI34 MI31 MI44



MI90 MI91 MI02 MI70 MI80 MI60 MI04 MI20



# CHAIRS

## REVO



Multi-purpose chair for community or visitor centres. Available with upholstered seat and back. Fixed frame with 4 legs.

		chair height	seat height	seat depth	seat width	chair width	chair depth
Fixed on legs with armrest	<b>9SD1511</b> in fabric <b>9SD1514</b> in imitation leather	79	47	46	57	69	55
Fixed on legs without armrest	<b>9SD1541</b> in fabric <b>9SD1544</b> in imitation leather	79	47	46	47	57	55

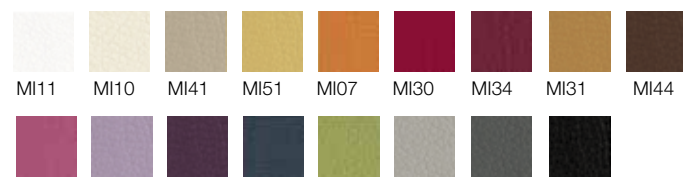
### COLOUR RANGE

#### FABRIC COLOUR RANGE (100% PES - TREVIRA CS)



L308 L427 L371 L680 L708 L033

#### IMITATION LEATHER COLOURS (FIRE RESISTANT)



MI11 MI10 MI41 MI51 MI07 MI30 MI34 MI31 MI44  
MI90 MI91 MI02 MI70 MI80 MI60 MI04 MI20

## OLA GRAY



Chair with upholstered seat and back. Permanent contact mechanism (PC). Height adjustable backrest with screw knob.

		chair height	seat height	seat depth	seat width	chair width	chair depth
On wheels without armrest	<b>9SR1211</b> in fabric <b>9SR1214</b> in imitation leather	96/108	42/54	44	50	50	61
On wheels with armrest	<b>9SR1241</b> in fabric <b>9SR1244</b> in imitation leather	96/108	42/54	44	49	61	61
On legs without armrest	<b>9SR1511</b> in fabric <b>9SR1514</b> in imitation leather	81	44	45	46	46	54
On legs with armrest	<b>9SR1541</b> in fabric <b>9SR1544</b> in imitation leather	-	45	45	52	65	54

### COLOUR RANGE

#### FABRIC COLOUR RANGE (100% PES - TREVIRA CS)



L308 L427 L371



L680 L708 L033

#### IMITATION LEATHER COLOURS (FIRE RESISTANT)



MI11 MI10 MI41 MI51 MI07 MI30 MI34 MI31 MI44



MI90 MI91 MI02 MI70 MI80 MI60 MI04 MI20

# KITCHENS

## ANIKA

ANIKA modular kitchens with moulded matt laminated door and drawer panels on the sides and finished with thick colourful side panelling and glass doors within an aluminium frame. Moulded scratch resistant surfaces.

All electrical appliances are CE marked.



COLOUR RANGE OF DOORS AND DRAWERS (frame only available in WHITE)



Firetruck red    Mandarin Orange    Yellow Mango    Sugar paper blue    Bamboo green    Mother of pearl    White    Hemp

WARD  
PAEDIATRICS  
CONSULTING ROOMS & CLINICS  
TECHNICAL WALL SOLUTIONS  
CARTS  
STRETCHERS  
COMPLEMENTARY FURNITURE  
HEALTHCARE FACILITIES

# HEALTHCARE FACILITIES

## DESIGNING SPACES TO PROVIDE REAL BENEFITS



With more than 60 years of experience in the healthcare industry, we offer a range of furnishings for RSA, Nursing homes and Care facilities that are pleasantly modern with the highest standards of technical construction and quality.

Designed with attention to the fundamental requirements of **safety, comfort and pleasantness** while not forgoing beauty in order to create a family environment that is both friendly and authentic.

## FINISH TYPES



### KALOS

The KALOS line is simple but made with the utmost attention to detail. **The edges are made of ABS and the corners are rounded** to avoid injury and trauma. The colours are vibrant and work well with wood finishes.



### CHORUS

The fronts of the doors and drawers and top surfaces of the CHORUS line **are in MDF and are completely rounded and covered in plastic film** making them easy to clean and disinfect as well as scratch and impact resistant.



### PLEOS

The **solid wood frame** used in the PLEOS line brings a touch of sophistication to rooms while creating a warm and inviting environment.

## BEDS

## HONEY 9RI1 - ELECTRIC BED



**The one-piece bed moulded platform** made from recyclable PE is very sturdy with no sharp edges and integrated mattress support on the sides: This system increases safety by preventing the mattress from slipping during patient transfer.

## COMPLIANT WITH

Directive 93/42/EEC modified in compliance with directive 2007/47/EC  
Device classification: Class 1

## APPLIED STANDARDS

IEC EN 60601-1  
IEC EN 60601-2-52

## TECHNICAL DATA

Mattress platform size	1980 x 880 mm
Footprint	2200 x 1020 mm
Platform height adjustment range*	360 - 808 mm
Safe Working Load	250 kg
Trendelenburg / Reverse Trendelenburg	as standard 15,5° ± 13,5°
Battery	as standard
Maximum patient weight	250 kg
Siderail height from mattress platform	370 mm
Weight without accessories	145 kg
Wheels	Ø 125 mm or 150 mm
Backrest inclination 74°	74°
Upper leg section inclination 22,5°	22,5°
Lower leg section inclination 0° a 9°	from 0° to 9°

\*varies according to version

## ACCESSORIES

- 9LI9501-9503 (R)** 2-hook IV pole - plastic or stainless steel, fixed or adjustable height
- 9LI9502-9504 (R)** 4-hook IV pole - plastic or stainless steel, fixed or adjustable height
- 9LI9110** Pair of bars with bag hangers
- 9LI9134** Patient lifting pole with adjustable handle
- 9LI9075** Male urinal support
- 9LI9055** Blanket support
- 9LI9078** Bedpan support
- 9LD9150** Fireproof mattress
- 9LI9080** Vertical cylinder holder 110 mm
- 9LI9081** Vertical cylinder holder 150 mm
- 9RL9900** Serving table

**9RL9900**

Serving tray is supported on the siderails and may be stored at foot of bed



## HONEY 9R11 - MOVEMENTS

THE HONEY BED IS OUR LATEST CREATION WITH THE MOST ADVANCED TECHNOLOGICAL FEATURES, CONSTRUCTED USING THE HIGHEST QUALITY MATERIALS



**Reduced height from floor.** The height of the platform can be adjusted from 360 mm to 808 mm at the touch of a button



**Trendelenburg.** Electric Trendelenburg and reverse-Trendelenburg movement allows greater flexibility for positioning and patient care.

### CONTROL TYPES



Control panel with lockable commands



Administrator control panel BASIC + control panel



Administrator control panel FULL + control panel



**Chair position.** With the touch of a button you can easily bring the patient into a seated position

## BEDROOMS

## ALZHEIMER BEDROOM



It's paramount that **the patient room is a safe environment**. This is particularly true for patients suffering from senile dementia. The Alzheimer mattress is **at a reduced height from the ground ensuring safety to the patient** both when lying in bed and while getting into/out of the bed. The reduced height also allows smaller patients to place their feet firmly on the ground before being helped to their feet by the operator, thus reducing the risk of falls and injuries.

## INSPIRE BEDROOM



**The Inspire bed is perfectly suited to** the needs of clinics and **residential homes** and can be customised with wood tinted inserts. Its moulded parts are easy to disinfect and very well appreciated for their **infection control** properties.

## CHORUS BEDROOM



The door, drawer panels and top surfaces of the **CHORUS MDF** furniture line are fully rounded and covered with plastic film that is easy to clean and disinfect as well as scratch and impact resistant. This film covers the entire surface uniformly so as to not create gaps and joints where dirt and bacteria can build up.

**The panel is moulded into a single piece without edges around the perimeter**, thus eliminating the chance of any absorption of liquid and relative swelling of the wooden core.

# LIVING AND RELAXATION



Favero also supplies a full line of **chairs and armchairs** for healthcare communities

WARD

PAEDIATRICS

CONSULTING ROOMS & CLINICS

TECHNICAL WALL SOLUTIONS

CARTS

STRETCHERS

COMPLEMENTARY FURNITURE

HEALTHCARE FACILITIES